

Features

- Supply Voltage: 4.5 V to 36 V, ± 2.25 V to ± 18 V
- Offset Voltage: ± 300 μ V Maximum
- Gain Error: 0.05% Maximum
- Bandwidth: 3 MHz, Slew Rate: 5 V/ μ s
- EMI Enhancement
- Over-Temperature Protection
- -40°C to 125°C Operation Temperature Range

Applications

- Instrumentation
- Industrial Control
- Audio
- Building Block for the Precision Amplifier Circuit

Description

The TPA9361 is a general-purpose, unity-gain difference amplifier, which is intended for precision signal conditioning. The on-chip resistors are trimmed for excellent gain accuracy and high CMRR. It has extremely low-gain drift within the operating temperature range. It also provides an exceptional common-mode rejection ratio (100 dB typical) and high bandwidth while amplifying signals are well beyond the supply rails. The common-mode range of the amplifier extends to almost two times than the supply voltage, making the device ideal for single-supply applications that require a wide common-mode voltage range.

Typical Application Circuit

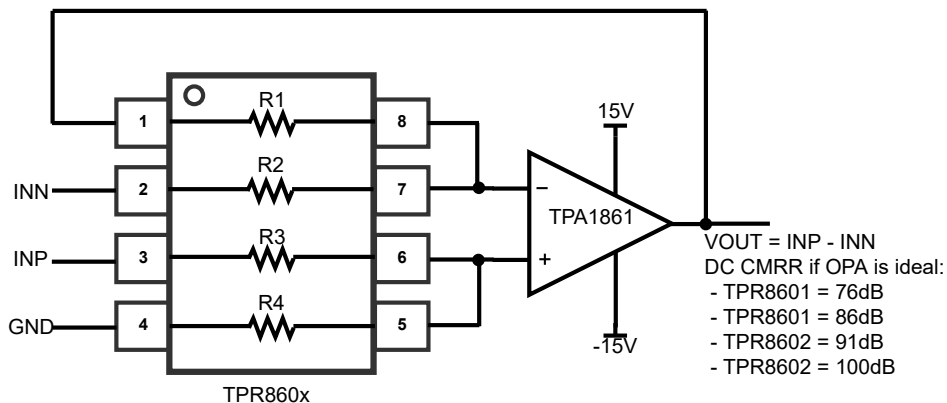


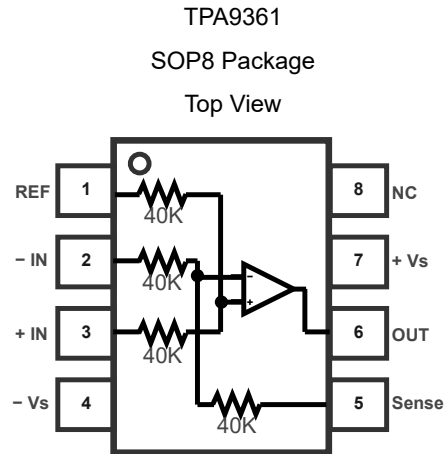
Table of Contents

Features	1
Applications	1
Description	1
Typical Application Circuit	1
Revision History	3
Pin Configuration and Functions	4
Specifications	5
Absolute Maximum Ratings ⁽¹⁾	5
ESD, Electrostatic Discharge Protection.....	5
Thermal Information.....	5
Electrical Characteristics.....	6
Typical Performance Characteristics.....	8
Tape and Reel Information	9
Package Outline Dimensions	10
SOP8.....	10
Order Information	11
IMPORTANT NOTICE AND DISCLAIMER	12

Revision History

Date	Revision	Notes
2020-05-05	Rev.Pre	Pre-release Version
2020-10-10	Rev.Pre.1	Updated Spec
2021-02-09	Rev.Pre.2	Updated Feature, Application and Description
2021-03-20	Rev.A.0	Initial Version
2022-11-08	Rev.A.1	Updated document with new format. Updated HBM value: 1 kV → 500 V

Pin Configuration and Functions



Pin No.	Pin Name	I/O	Description
1	REF		Reference input.
2	-IN		Inverting input.
3	+IN		Noninverting input
4	-Vs		Negative power supply ⁽¹⁾
5	Sense		Sense input.
6	VOOUT		Output
7	+Vs		Positive power supply ⁽¹⁾
8	NC		Not Connect

(1) In this document, (V+) - (V-) is referred to Vs.

Specifications

Absolute Maximum Ratings ⁽¹⁾

Parameter	Min	Max	Unit
Supply Voltage: $V^+ - V^-$		36	V
Input Voltage Range		2*(Supply Voltage)	V
Input Current: +IN, -IN ⁽²⁾	-10	+10	mA
T _J Maximum Junction Temperature		150	°C
T _A Operating Temperature Range	-40	125	°C
T _{STG} Storage Temperature Range	-65	150	°C
T _L Lead Temperature (Soldering 10 sec)		260	°C

(1) Stresses beyond those listed under Absolute Maximum Ratings may cause permanent damage to the device. Exposure to any Absolute Maximum Rating condition for extended periods may affect device reliability and lifetime.

(2) The inputs are protected by ESD protection diodes to each power supply. If the input extends more than 300 mV beyond the power supply, the input current should be limited to less than 10 mA.

ESD, Electrostatic Discharge Protection

Symbol	Parameter	Condition	Minimum Level	Unit
HBM	Human Body Model ESD	ANSI/ESDA/JEDEC JS-001 ⁽¹⁾	500	V
CDM	Charged Device Model ESD	ANSI/ESDA/JEDEC JS-002 ⁽²⁾	1.5	kV

(1) JEDEC document JEP155 states that 500-V HBM allows safe manufacturing with a standard ESD control process.

(2) JEDEC document JEP157 states that 250-V CDM allows safe manufacturing with a standard ESD control process.

Thermal Information

Package Type	θ_{JA}	θ_{JC}	Unit
SOP8	158	43	°C/W

Electrical Characteristics

All test condition is $V_+ = +15\text{ V}$ and $V_- = -15\text{ V}$, $R_L = 10\text{ k}\Omega$ to ground, reference pin connected to ground, sense pin connected to V_{OUT} pin, $T_A = 25^\circ\text{C}$, unless otherwise noted.

Symbol	Parameter	Conditions	T_A	Min	Typ	Max	Unit
Power Supply							
V_S	Supply Voltage Range			± 2.25		± 18	V
I_Q	Quiescent Current per Amplifier	No Load			1.5	2	mA
			-40°C to 125°C			2.5	mA
Gain							
	Initial	$V_{OUT} = \pm 10\text{ V}$			1		V/V
	Gain Error	$V_{OUT} = \pm 10\text{ V}$			0.02	0.05	%FSR
			-40°C to 125°C				0.1
	Gain Drift		-40°C to 125°C		5		PPM/ $^\circ\text{C}$
	Nonlinearity				0.0005		%FSR
Offset Voltage							
V_{OS}	Input Offset Voltage	$V_{CM} = 0\text{ V}$			150	300	μV
			-40°C to 125°C			800	μV
$V_{OS\ TC}$	Offset Voltage Drift		-40°C to 125°C		2		$\mu\text{V}/^\circ\text{C}$
PSRR	Power Supply Rejection Ratio	$V_S = \pm 2.25\text{ V}$ to $\pm 18\text{ V}$, V_I , $V_{CM} = 0\text{ V}$		100	120		dB
			-40°C to 125°C	95			dB
Input							
	Impedance	Differential			80		$\text{k}\Omega$
		Common-mode				40	
	Input Voltage Range	Differential		$-2*(V_-)$		$2*[(V_+) - 1.5]$	V
CMRR	Common-Mode Rejection	$V_{CM} = -30\text{ V}$ to 27 V		80	100		dB
			-40°C to 125°C	78			dB
Output							
	Output Swing from Supply Rail	$R_{LOAD} = 10\text{ k}\Omega$ to $V_S/2$			50	200	mV
		$R_{LOAD} = 2\text{ k}\Omega$ to $V_S/2$				400	500
I_{SC}	Output Short-Circuit Current				100		mA
AC Specifications							
GBW	Gain-Bandwidth Product				3		MHz
SR	Slew Rate	10 V step			5		V/ μs
t_s	Settling Time, 0.1%	$G = -1$, 10 V step			0.8		μs

Precision Difference Amplifier

Symbol	Parameter	Conditions	T _A	Min	Typ	Max	Unit
Noise Performance							
E _N	Input Voltage Noise	f = 0.1 Hz to 10 Hz			0.2		μV _{RMS}
e _N	Input Voltage Noise Density	f = 1 kHz			30		nV/√Hz

Typical Performance Characteristics

All test condition: $V_s = \pm 15\text{ V}$, $V_{CM} = 0\text{ V}$, $R_L = 10\text{ k}\Omega$, unless otherwise specified.

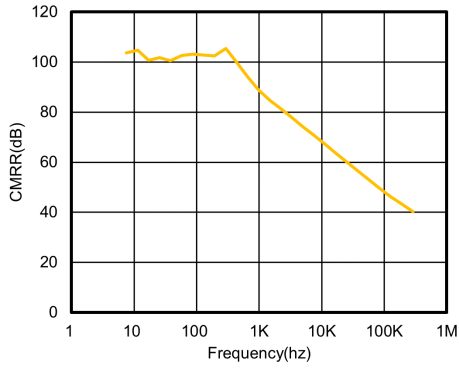


Figure 1. CMRR vs. Frequency

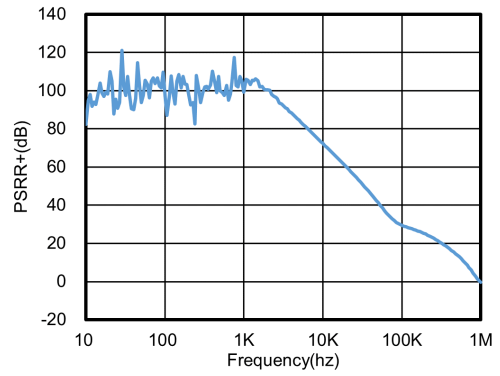


Figure 2. PSRR+ vs. Frequency

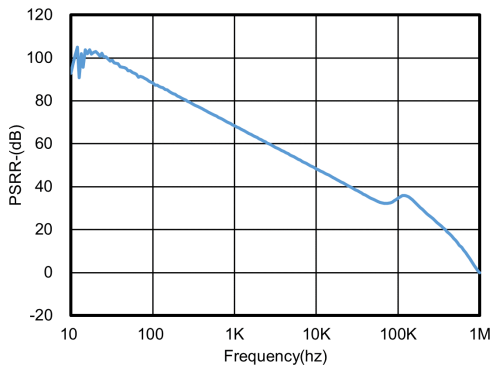


Figure 3. PSRR- vs. Frequency

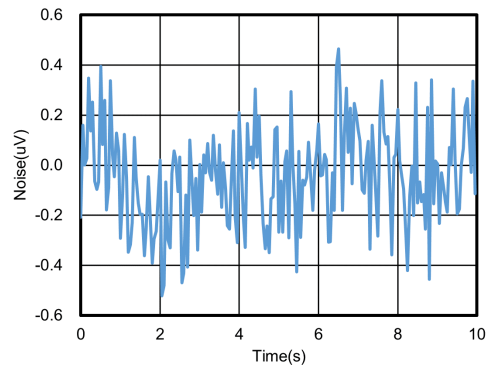
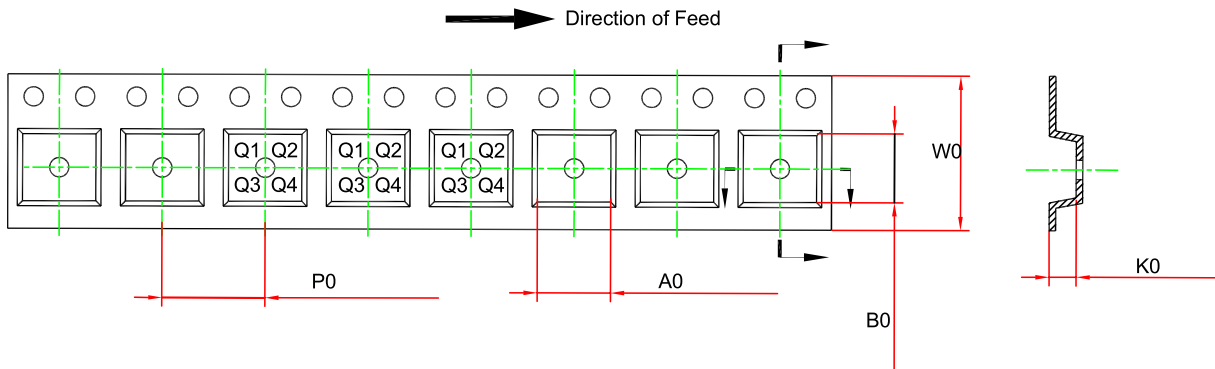
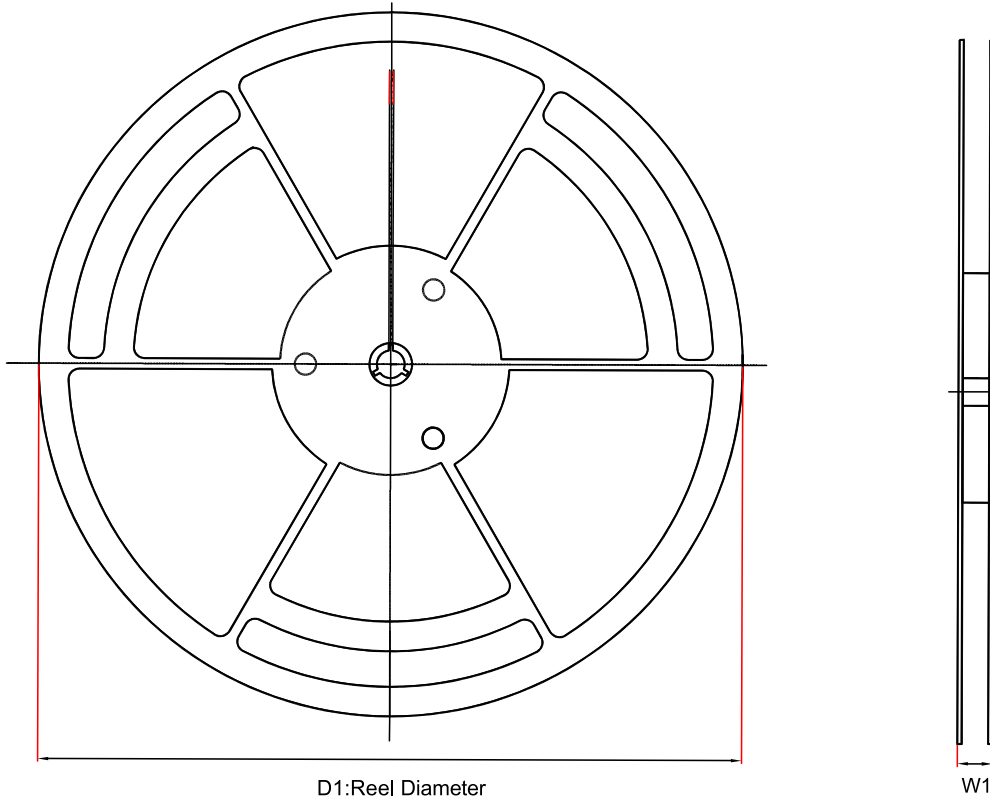


Figure 4. 0.1 to 10 Hz Voltage Noise

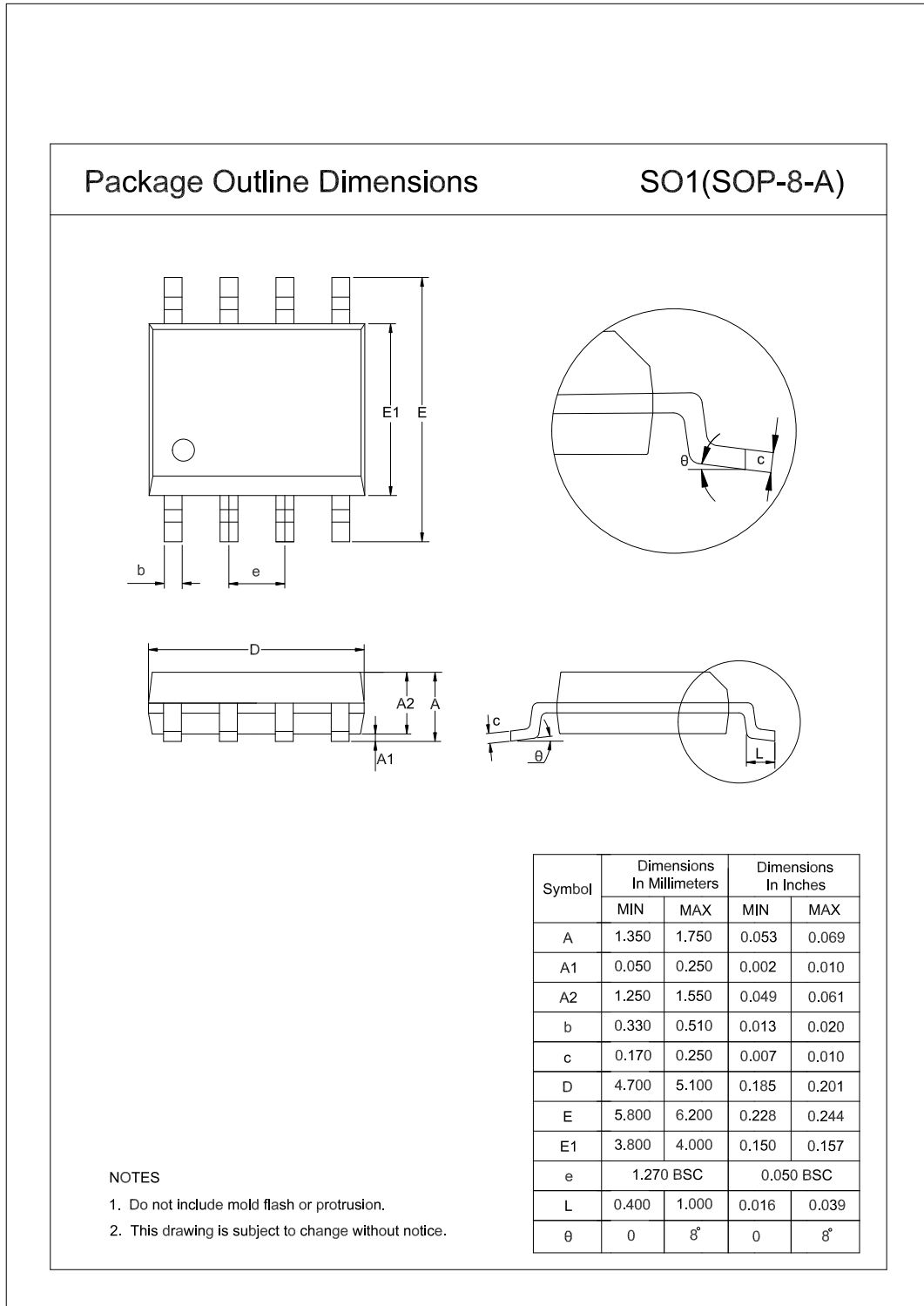
Tape and Reel Information



Order Number	Package	D1 (mm)	W1 (mm)	A0 (mm)	B0 (mm)	K0 (mm)	P0 (mm)	W0 (mm)	Pin1 Quadrant
TPA9361-SO1R	SOP8	330.0	17.6	6.4	5.4	2.1	8.0	12.0	Q1

Package Outline Dimensions

SOP8



Order Information

Order Number	Operating Temperature Range	Package	Marking Information	MSL	Transport Media, Quantity	Eco Plan
TPA9361-SO1R	-40 to 125°C	SOP8	A9361	3	Tape and Reel, 4000	Green

Green: 3PEAK defines "Green" to mean RoHS compatible and free of halogen substances.

IMPORTANT NOTICE AND DISCLAIMER

Copyright© 3PEAK 2012-2023. All rights reserved.

Trademarks. Any of the 思瑞浦 or 3PEAK trade names, trademarks, graphic marks, and domain names contained in this document /material are the property of 3PEAK. You may NOT reproduce, modify, publish, transmit or distribute any Trademark without the prior written consent of 3PEAK.

Performance Information. Performance tests or performance range contained in this document/material are either results of design simulation or actual tests conducted under designated testing environment. Any variation in testing environment or simulation environment, including but not limited to testing method, testing process or testing temperature, may affect actual performance of the product.

Disclaimer. 3PEAK provides technical and reliability data (including data sheets), design resources (including reference designs), application or other design recommendations, networking tools, security information and other resources "As Is". 3PEAK makes no warranty as to the absence of defects, and makes no warranties of any kind, express or implied, including without limitation, implied warranties as to merchantability, fitness for a particular purpose or non-infringement of any third-party's intellectual property rights. Unless otherwise specified in writing, products supplied by 3PEAK are not designed to be used in any life-threatening scenarios, including critical medical applications, automotive safety-critical systems, aviation, aerospace, or any situations where failure could result in bodily harm, loss of life, or significant property damage. 3PEAK disclaims all liability for any such unauthorized use.