

## 1.5-A Wide-Input High-Current Low-Dropout Linear Regulator

### Features

- Input Voltage Range: 2.75 V to 29 V
- Adjustable Output Voltage Range from 1.25 V
- 1.5-A Maximum Output Current
- $\pm 2\%$  Output Accuracy over Line Regulation, Load Regulation, and Operating Temperature Range
- Low Dropout Voltage: 1.2 V Typically at 1.5 A
- High PSRR:
  - 79 dB at 120Hz
  - 76 dB at 1kHz
- Excellent Transient Response
- Stable with a 10- $\mu\text{F}$  to 100- $\mu\text{F}$  Tantalum Output Capacitor
- Integrated Protection:
  - Over-Current Protection
  - Over-Temperature Protection
- Package Option:
  - DFN4X4-8

### Applications

- High-Power Linear Power Supplies
- Low-Noise Power Supplies
- Microcontroller, FPGA, ASIC Power Supply

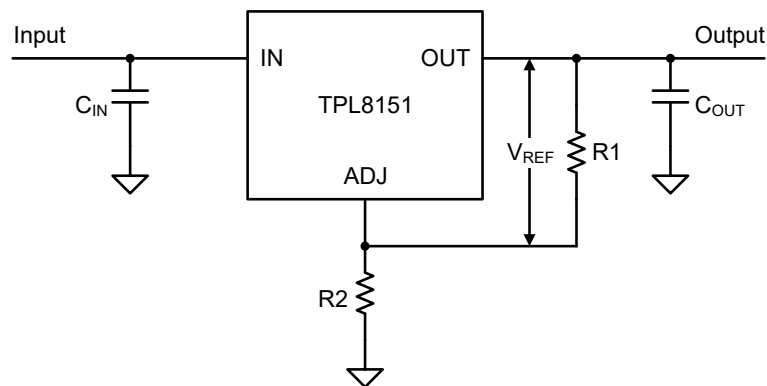
### Description

The TPL8151 is a 1.5-A high-current, low-dropout linear regulator with up to 29-V wide input voltage range. The TPL8151 supports adjustable output voltage ranging from 1.25 V with an external resistor divider and is stable with a 10- $\mu\text{F}$  to 100- $\mu\text{F}$  tantalum output capacitor.

The TPL8151 is compatible with older three-terminal adjustable linear regulators but has lower dropout voltage, tight output tolerance, and better transient performance.

The TPL8151 provides a thermal-enhanced DFN4X4-8 package with guaranteed operating temperature range from  $-40^{\circ}\text{C}$  to  $+125^{\circ}\text{C}$ .

### Typical Application Circuit



## Table of Contents

<b>Features</b> .....	<b>1</b>
<b>Applications</b> .....	<b>1</b>
<b>Description</b> .....	<b>1</b>
<b>Typical Application Circuit</b> .....	<b>1</b>
<b>Product Family Table</b> .....	<b>3</b>
<b>Revision History</b> .....	<b>3</b>
<b>Pin Configuration and Functions</b> .....	<b>4</b>
<b>Specifications</b> .....	<b>5</b>
Absolute Maximum Ratings <sup>(1)</sup> .....	5
ESD, Electrostatic Discharge Protection.....	5
Recommended Operating Conditions.....	5
Thermal Information.....	5
Electrical Characteristics.....	6
Typical Performance Characteristics.....	8
<b>Detailed Description</b> .....	<b>10</b>
Overview.....	10
Functional Block Diagram.....	10
Feature Description.....	10
<b>Application and Implementation</b> .....	<b>12</b>
Application Information .....	12
Typical Application.....	12
<b>Layout</b> .....	<b>13</b>
Layout Guideline.....	13
<b>Tape and Reel Information</b> .....	<b>14</b>
<b>Package Outline Dimensions</b> .....	<b>15</b>
DFN4X4-8.....	15
<b>Order Information</b> .....	<b>16</b>
<b>IMPORTANT NOTICE AND DISCLAIMER</b> .....	<b>17</b>

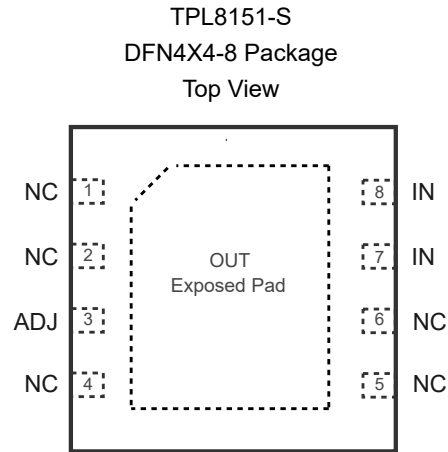
---

**1.5-A Wide-Input High-Current Low-Dropout Linear Regulator****Product Family Table**

Order Number	Output Voltage	Output Current	Package
TPL8151AD-DF9R-S	Adjustable	1.5 A	DFN4X4-8

**Revision History**

Date	Revision	Notes
2021-07-10	Rev.Pre.0	Preliminary
2021-11-30	Rev.A.0	Initial Release
2022-07-22	Rev.A.1	Corrected the note information in the Absolute Maximum Ratings section and the Electrical Characteristics section
2023-07-15	Rev.A.2	1. Removed ESOP8 and SOT223-3 Package 2. Updated Datasheet Format
2023-11-07	Rev.A.3	Update pin configuration footprint

**Pin Configuration and Functions**

**Table 1. Pin Functions: TPL8151-S**

Pin No.	Pin Name	I/O	Description
3	ADJ	I	Output voltage adjust pin. Connect to a resistor divider to adjust the output voltage.
7, 8	IN	I	Input voltage pin.
1, 2, 4, 5, 6	NC	-	No connection.
Exposed Pad	OUT	O	Regulated output voltage pin.

(1) Exposed Pad MUST be connected to OUT directly to improve thermal performance.

**1.5-A Wide-Input High-Current Low-Dropout Linear Regulator**
**Specifications**
**Absolute Maximum Ratings <sup>(1)</sup>**

Parameter		Min	Max	Unit
V <sub>IN</sub> <sup>(1)(2)</sup>		-0.3	32	V
V <sub>OUT</sub> <sup>(1)(2)</sup>		-0.3	32	V
T <sub>J</sub> <sup>(1)</sup>	Junction Temperature Range	-40	150	°C
T <sub>A</sub> <sup>(1)</sup>	Operating Temperature Range	-40	150	°C
T <sub>STG</sub> <sup>(1)</sup>	Storage Temperature Range	-65	150	°C
T <sub>L</sub> <sup>(1)</sup>	Lead Temperature (Soldering 10 sec)		260	°C

(1) Stresses beyond those listed under Absolute Maximum Ratings may cause permanent damage to the device. Exposure to any Absolute Maximum Rating condition for extended periods may affect device reliability and lifetime.

(2) All voltage values are with respect to ground.

**ESD, Electrostatic Discharge Protection**

Parameter		Condition	Minimum Level	Unit
HBM	Human Body Model ESD	ANSI/ESDA/JEDEC JS-001 <sup>(1)</sup>	±4	kV
CDM	Charged Device Model ESD	ANSI/ESDA/JEDEC JS-002 <sup>(2)</sup>	±1.5	kV

(1) JEDEC document JEP155 states that 500-V HBM allows safe manufacturing with a standard ESD control process.

(2) JEDEC document JEP157 states that 250-V CDM allows safe manufacturing with a standard ESD control process.

**Recommended Operating Conditions**

Parameter		Min	Max	Unit
V <sub>IN</sub>		2.75	29	V
V <sub>OUT</sub>		0	25	V
C <sub>OUT</sub>		10	100	μF
ESR		0.5	6	Ω
T <sub>J</sub>	Junction Temperature Range	-40	125	°C

**Thermal Information**

Package Type	θ <sub>JA</sub>	θ <sub>Jc</sub>	Unit
DFN4X4-8	59.9	5.8	°C/W

**1.5-A Wide-Input High-Current Low-Dropout Linear Regulator**
**Electrical Characteristics**

All test conditions:  $V_{IN} = V_{OUT(NOM)} + 1.5\text{ V}$  or  $4.25\text{ V}$ , whichever is greater;  $C_{IN} = C_{OUT} = 10\text{ }\mu\text{F}$ ,  $-40^{\circ}\text{C} \leq T_J \leq +125^{\circ}\text{C}$ , unless otherwise noted.

Parameter	Conditions	Min	Typ	Max	Unit	
<b>Supply Voltage and Current</b>						
$V_{IN}^{(1)}$	Input Supply Voltage	$V_{IN,MIN}$		29	V	
<b>Regulated Voltage and Current</b>						
$V_{OUT}^{(2)}$	Output Voltage Accuracy	$I_{OUT} = 10\text{ mA}$ , $T_A = 25^{\circ}\text{C}$	-1%		1%	
		$I_{OUT} = 10\text{ mA}$ to $1.5\text{ A}$ , $V_{IN} = 2.75\text{ V}$ to $29\text{ V}$	-2%		2%	
$V_{REF}^{(3)}$	Reference Voltage	$I_{OUT} = 10\text{ mA}$ , $T_A = 25^{\circ}\text{C}$	1.238	1.25	1.263	V
		$I_{OUT} = 10\text{ mA}$ to $1.5\text{ A}$ , $V_{IN} = 2.75\text{ V}$ to $29\text{ V}$	1.225	1.25	1.275	V
$\Delta V_{OUT}$	Line Regulation	$I_{OUT} = 10\text{ mA}$ , $V_{IN} = 2.75\text{ V}$ to $16.5\text{ V}$ , $T_A = 25^{\circ}\text{C}$		0.04%		
		$I_{OUT} = 10\text{ mA}$ , $V_{IN} = 2.75\text{ V}$ to $16.5\text{ V}$		0.04%	0.2%	
	Load Regulation	$I_{OUT} = 10\text{ mA}$ to $1.5\text{ A}$ , $T_A = 25^{\circ}\text{C}$		0.2%		
		$I_{OUT} = 10\text{ mA}$ to $1.5\text{ A}$		0.2%	0.4%	
$V_{DO}^{(4)}$	Dropout Voltage	$I_{OUT} = 1.5\text{ A}$		1.3	1.5	V
$I_{OUT}$	Minimum Load	$V_{IN} = 29\text{ V}$		5	10	mA
	Output Current	$V_{OUT}$ in regulation	0		1.5	A
$I_{ADJ}$	ADJ Pin Current	$V_{IN} = 4.25\text{ V}$ , $I_{OUT} = 10\text{ mA}$		75	120	$\mu\text{A}$
$I_{SC}$	Short-circuit Current Limit	$V_{IN} - V_{OUT} = 5\text{ V}$	1.6	2.3		A
		$V_{IN} - V_{OUT} = 25\text{ V}$	50	200		mA
PSRR	Power Supply Rejection Ratio	$I_{OUT} = 0.1\text{ A}$ , $f = 120\text{ Hz}$ , $C_{OUT} = 22\text{ }\mu\text{F}$ , $C_{ADJ} = 22\text{ }\mu\text{F}$ , $V_{OUT} = 1.8\text{ V}$ , $V_{IN} = V_{OUT} + 2\text{ V}$		77		dB
		$I_{OUT} = 0.1\text{ A}$ , $f = 1\text{ kHz}$ , $C_{OUT} = 22\text{ }\mu\text{F}$ , $C_{ADJ} = 22\text{ }\mu\text{F}$ , $V_{OUT} = 1.8\text{ V}$ , $V_{IN} = V_{OUT} + 2\text{ V}$		72		dB
		$I_{OUT} = 0.1\text{ A}$ , $f = 100\text{ kHz}$ , $C_{OUT} = 22\text{ }\mu\text{F}$ , $C_{ADJ} = 22\text{ }\mu\text{F}$ , $V_{OUT} = 1.8\text{ V}$ , $V_{IN} = V_{OUT} + 2\text{ V}$		35		dB
$V_N$	Output Noise Voltage	$I_{OUT} = 10\text{ mA}$ , $BW = 10\text{ Hz}$ to $100\text{ kHz}$		17.5		$\mu\text{V}_{RMS}$
<b>Temperature Range</b>						
$T_{SD}$	Thermal Shutdown Threshold			180		$^{\circ}\text{C}$
	Thermal Shutdown Hysteresis			15		$^{\circ}\text{C}$

(1)  $V_{IN,MIN} = V_{OUT(NOM)} + 1.5\text{ V}$  or  $2.75\text{ V}$ , whichever is greater.

(2) Tolerance of external resistor divider is not included.

(3)  $V_{REF}$  is the voltage value between OUT and ADJ.

---

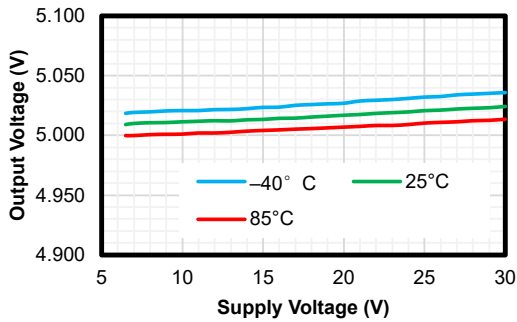
**1.5-A Wide-Input High-Current Low-Dropout Linear Regulator**

- (4) Dropout voltage is the minimum input to output voltage differential needed to maintain regulation at a specified output current and measure for  $V_{OUT} \geq 2.75$  V. In dropout mode, the output voltage will be equal to  $V_{IN} - V_{DO}$ .

# 1.5-A Wide-Input High-Current Low-Dropout Linear Regulator

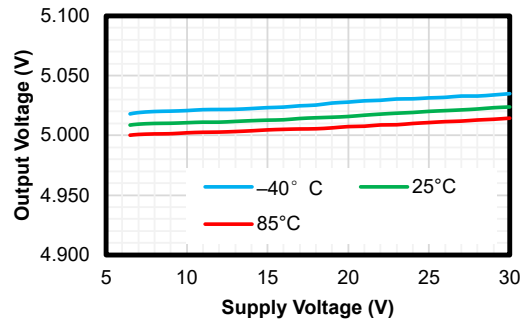
## Typical Performance Characteristics

All test conditions:  $V_{IN} = V_{OUT(NOM)} + 1.5\text{ V}$  or  $4.25\text{ V}$ , whichever is greater;  $C_{IN} = C_{OUT} = 10\ \mu\text{F}$ ,  $-40^\circ\text{C} \leq T_A \leq +125^\circ\text{C}$ , unless otherwise noted.



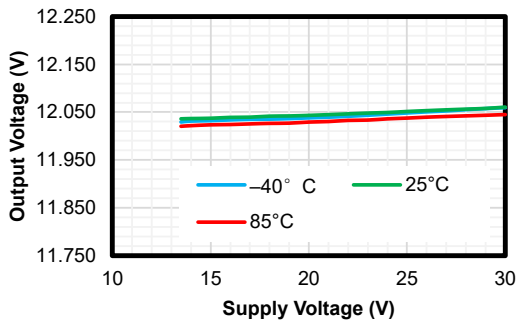
$V_{OUT} = 5\text{ V}$ ,  $I_{OUT} = 1\text{ mA}$

Figure 1. Line Regulation



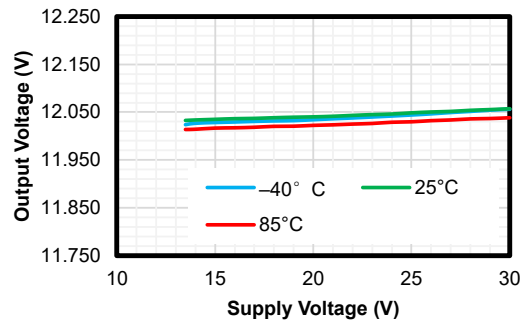
$V_{OUT} = 5\text{ V}$ ,  $I_{OUT} = 100\text{ mA}$

Figure 2. Line Regulation



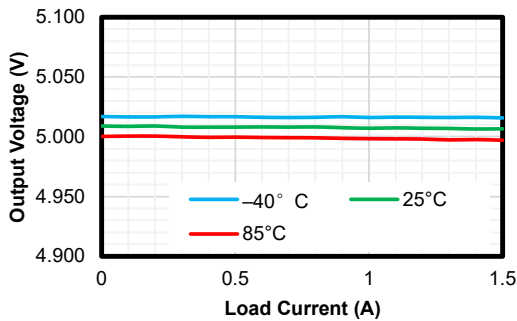
$V_{OUT} = 12\text{ V}$ ,  $I_{OUT} = 1\text{ mA}$

Figure 3. Line Regulation



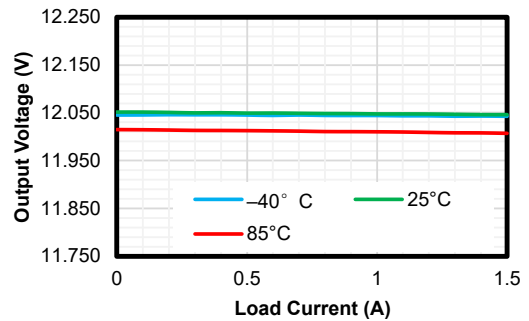
$V_{OUT} = 12\text{ V}$ ,  $I_{OUT} = 100\text{ mA}$

Figure 4. Line Regulation



$V_{OUT} = 5\text{ V}$ ,  $V_{IN} = V_{OUT} + 1\text{ V}$

Figure 5. Load Regulation



$V_{OUT} = 5\text{ V}$ ,  $V_{IN} = V_{OUT} + 1\text{ V}$

Figure 6. Load Regulation



# 1.5-A Wide-Input High-Current Low-Dropout Linear Regulator

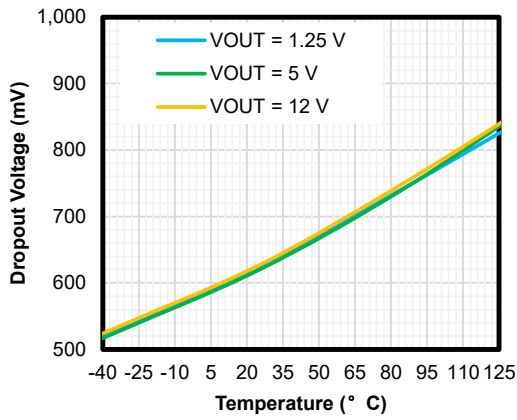


Figure 7. Dropout Voltage

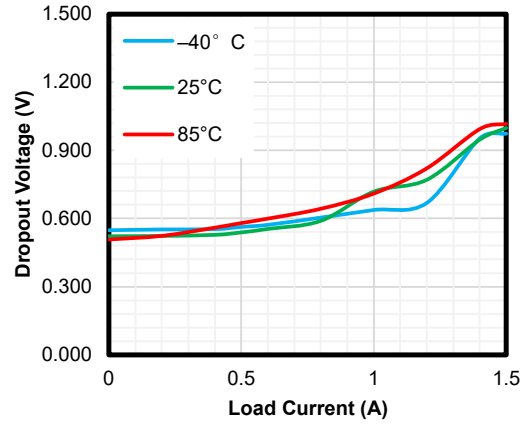
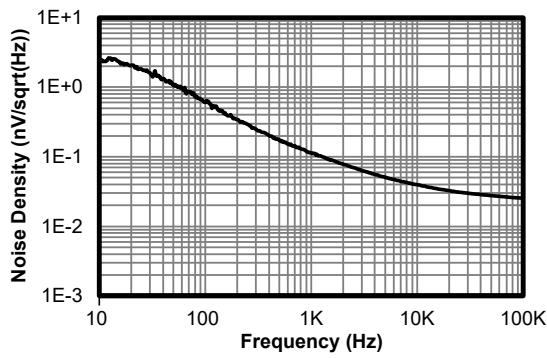
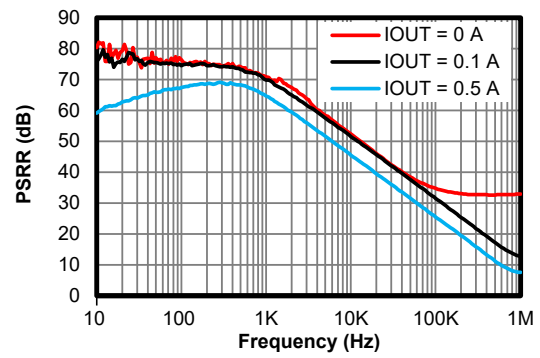


Figure 8. Dropout Voltage



$V_{OUT} = 1.25\text{ V}$ ,  $I_{OUT} = 10\text{ mA}$

Figure 9. Noise



$V_{OUT} = 1.25\text{ V}$ ,  $V_{IN} = V_{OUT} + 2\text{ V}$

Figure 10. PSRR

## Detailed Description

### Overview

The TPL8151 is a 1.5-A high-current, low-dropout linear regulator with up to 29-V wide input voltage range. The TPL8151 supports adjustable output voltage ranging from 1.25 V with an external resistor divider and is stable with a 10- $\mu$ F to 100- $\mu$ F tantalum output capacitor.

The TPL8151 is compatible with older three-terminal adjustable linear regulators but has lower dropout voltage, tight output tolerance, and better transient performance.

### Functional Block Diagram

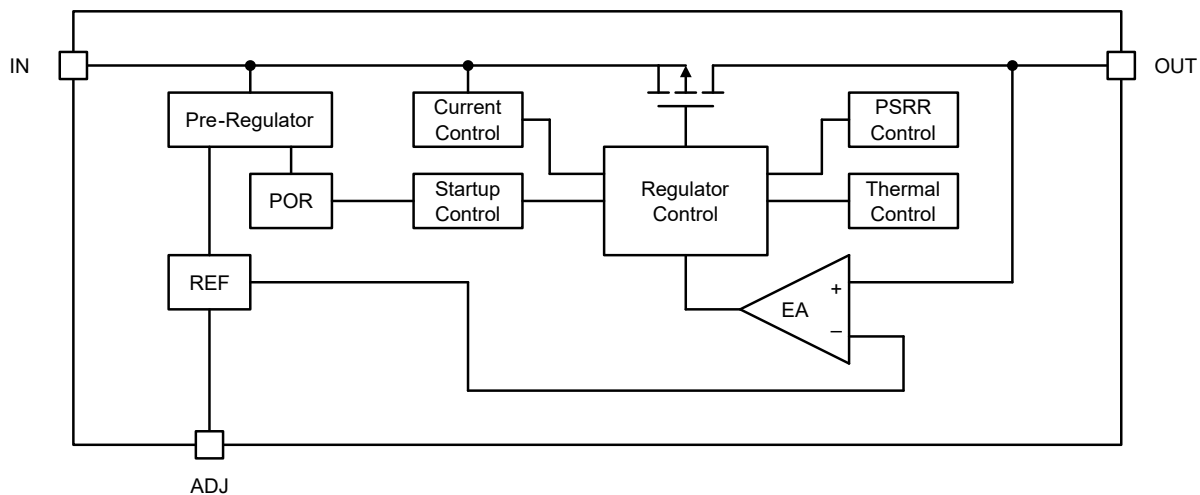


Figure 11. Functional Block Diagram

### Feature Description

#### Adjustable Output Voltage (ADJ and OUT)

The TPL8151 supports adjustable output voltage ranging from 1.25 V with an external resistor divider. As shown in [Figure 12](#), the voltage ( $V_{REF}$ ) across R1 generates a constant current, and this constant current flows through R2. The voltage across R1 and R2 sets the output voltage. Use [Equation 1](#) to calculate the output voltage.

$$V_{OUT} = V_{REF} \times \left(1 + \frac{R2}{R1}\right) \quad (1)$$

Where the feedback voltage  $V_{REF}$  is 1.25 V.

The current  $I_{ADJ}$  sourcing from the ADJ pin introduces an output error. Suggest selecting the R1 around 100  $\Omega$  to minimize the output error. The resistor R1 should be put closely to both the OUT pin and the ADJ pin.

#### Over-Current Protection

The TPL8151 integrates an internal current limit that helps protect the regulator during fault conditions. When the output is pulled down below the regulated voltage, the over-current protection starts to work and limits the output current.

Under the over-current condition, the internal junction temperature ramps up quickly. When the junction temperature is high enough, it will cause over-temperature protection.

---

**1.5-A Wide-Input High-Current Low-Dropout Linear Regulator****Over-Temperature Protection**

The over-temperature protection starts to work when the junction temperature exceeds the thermal shutdown threshold ( $T_{SD}$ ), which turns off the regulator immediately. Until when the device cools down, the junction temperature falls below a value, which equals to the thermal shutdown threshold minus thermal shutdown hysteresis, the regulator turns on again.

The junction temperature range should be limited according to the [Recommended Operating Conditions](#) table. Continuously operating above the junction temperature range will shorten the lifetime of the device.

## Application and Implementation

### Note

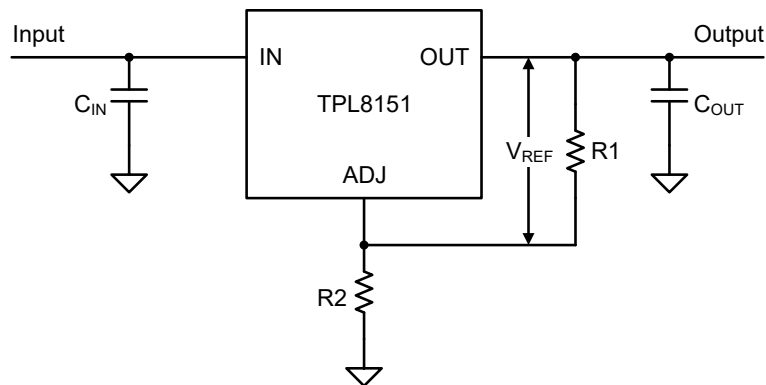
Information in the following application sections is not part of the 3PEAK's component specification and 3PEAK does not warrant its accuracy or completeness. 3PEAK's customers are responsible for determining suitability of components for their purposes. Customers should validate and test their design implementation to confirm system functionality.

## Application Information

The TPL8151 is a 1.5-A wide-input, high-PSRR, low-noise, low-dropout linear regulator. The following application shows a typical usage of the TPL8151.

## Typical Application

Figure 12 shows the typical application schematic.



**Figure 12. Typical Application Circuit**

### Input Capacitor and Output Capacitor

3PEAK recommends adding a 10- $\mu$ F or greater capacitor at the IN pin to keep the input voltage stable. The voltage rating of the capacitors must be higher than the maximum input voltage.

To ensure the loop stability, the TPL8151 requires an output tantalum capacitor of 10  $\mu$ F or greater. 3PEAK recommends selecting a 10- $\mu$ F or greater capacitor with an ESR range from 0.5  $\Omega$  to 6  $\Omega$  at the OUT pin.

Both input capacitors and output capacitors must be placed as close to the device pins as possible.

### Power Dissipation and Thermal Consideration

During the normal operation, the LDO junction temperature should meet the requirement in the [Recommended Operating Conditions](#) table. Use the equations below to calculate the power dissipation and estimate the junction temperature.

The power dissipation can be calculated using [Equation 2](#).

$$P_D = (V_{IN} - V_{OUT}) \times I_{OUT} + V_{IN} \times I_{GND} \quad (2)$$

The junction temperature can be estimated using [Equation 3](#).  $\theta_{JA}$  is the junction-to-ambient thermal resistance.

$$T_J = T_A + P_D \times \theta_{JA} \quad (3)$$

---

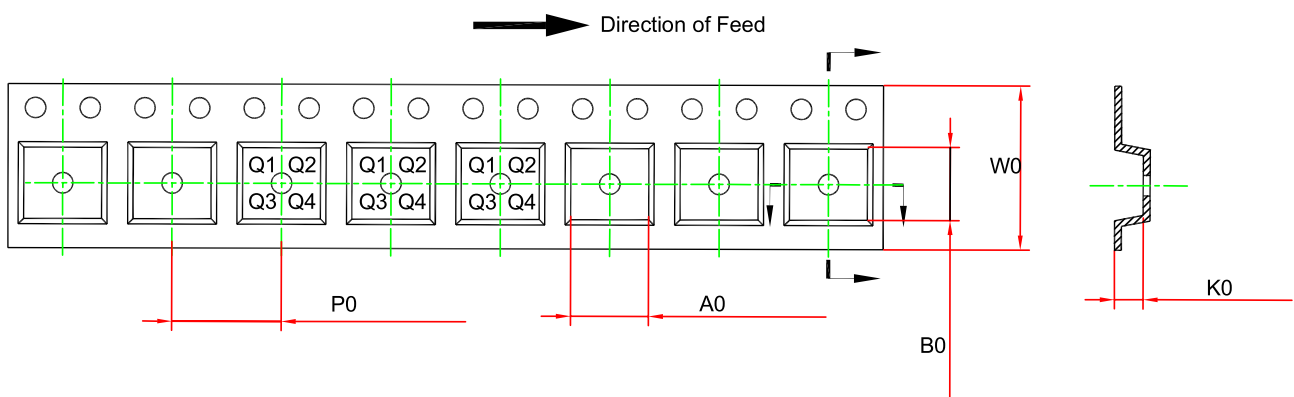
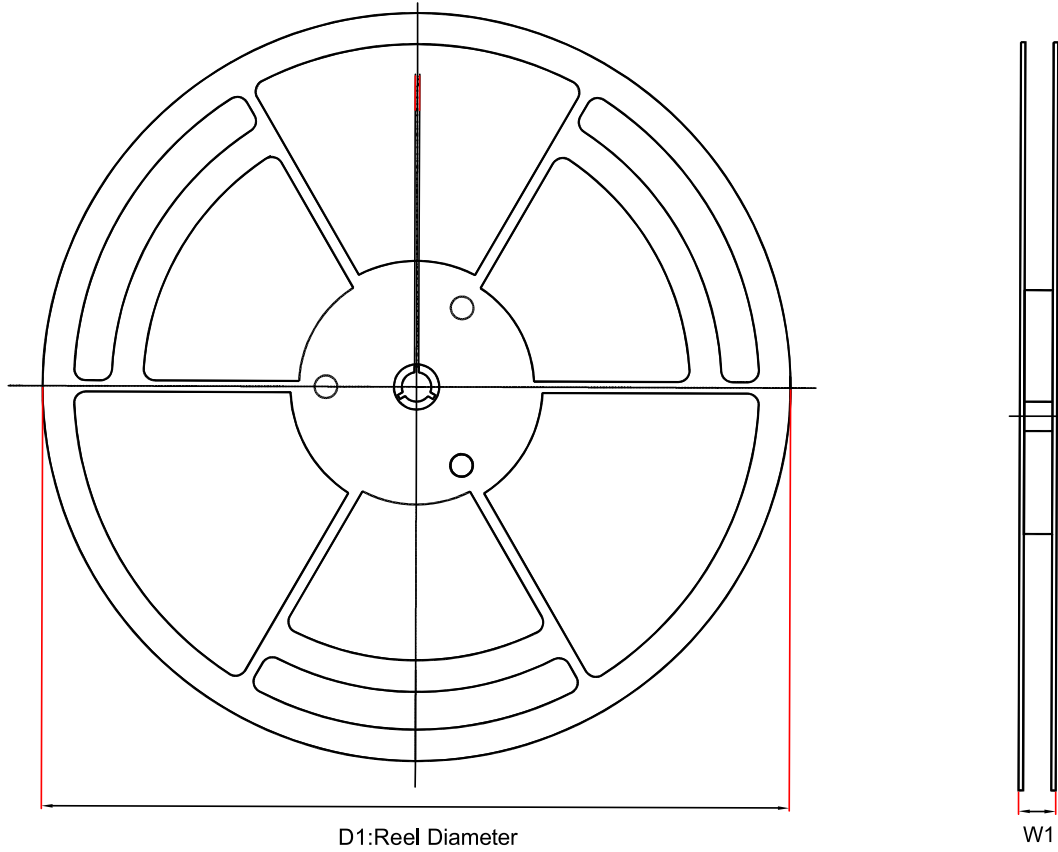
**1.5-A Wide-Input High-Current Low-Dropout Linear Regulator**

## Layout

### Layout Guideline

- Both input capacitors and output capacitors must be placed as close to the device pins as possible, and vias between capacitors and device power pins must be avoided.
- It is recommended to bypass the input pin to ground with a 0.1- $\mu$ F bypass capacitor. The loop area formed by the bypass capacitor connection, the IN pin, and the GND pin of the system must be as small as possible.
- It is recommended to use wide and thick copper to minimize  $I \times R$  drop and heat dissipation.

Tape and Reel Information

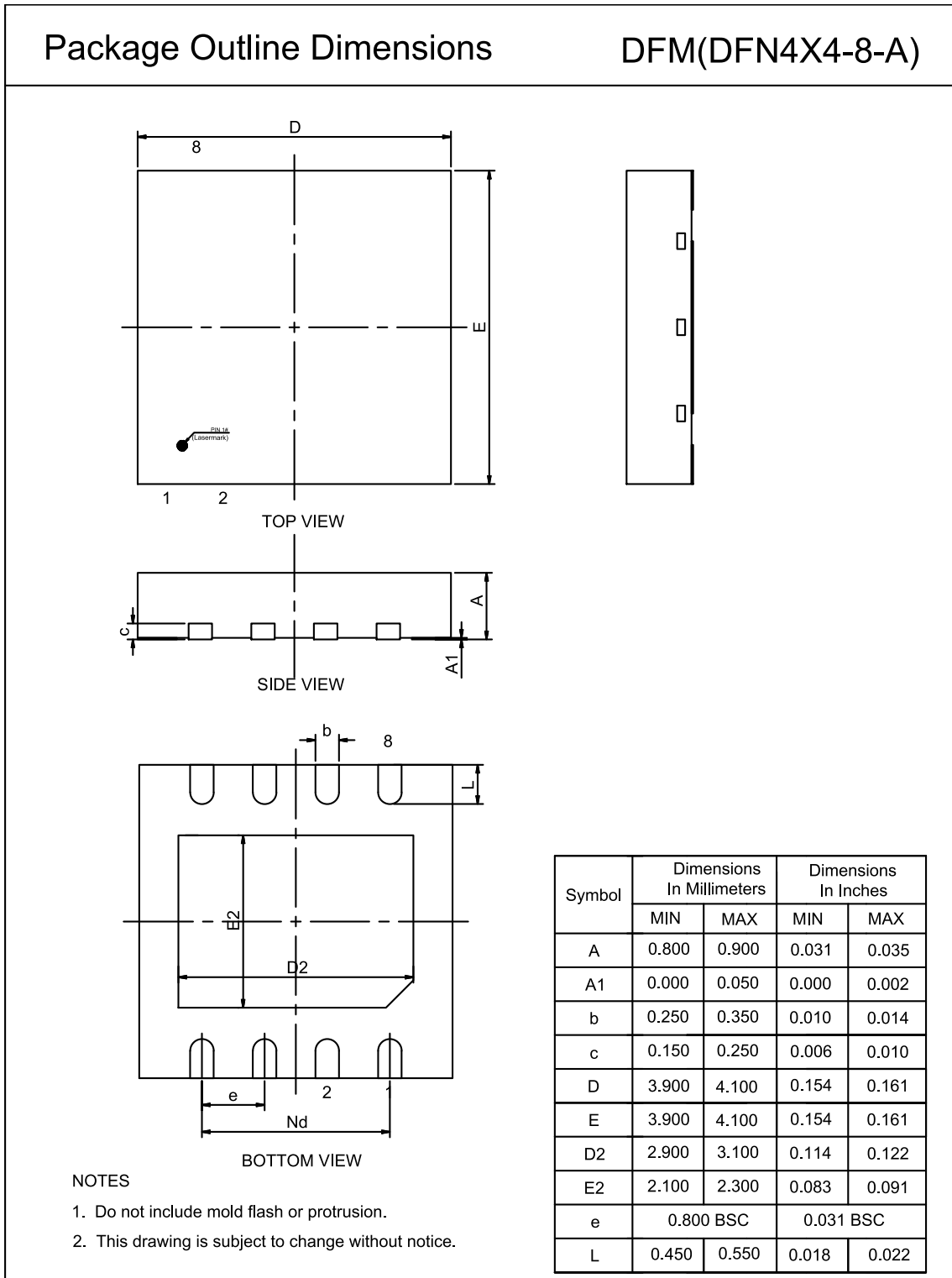


Order Number	Package	D1 (mm)	W1 (mm)	A0 (mm)	B0 (mm)	K0 (mm)	P0 (mm)	W0 (mm)	Pin1 Quadrant
TPL8151AD-DF9R-S	DFN4X4-8	330	17.6	4.3	4.3	1.1	8	12	Q2

1.5-A Wide-Input High-Current Low-Dropout Linear Regulator

Package Outline Dimensions

DFN4X4-8



---

**1.5-A Wide-Input High-Current Low-Dropout Linear Regulator****Order Information**

Order Number	Operating Temperature Range	Package	Marking Information	MSL	Transport Media, Quantity	Eco Plan
TPL8151AD-DF9R-S	-40°C to +125°C	DFN4X4-8	L15A	MSL3	3,000	Green

**Green:** 3PEAK defines "Green" to mean RoHS compatible and free of halogen substances.



---

## 1.5-A Wide-Input High-Current Low-Dropout Linear Regulator

### IMPORTANT NOTICE AND DISCLAIMER

**Copyright**© 3PEAK 2012-2023. All rights reserved.

**Trademarks.** Any of the 思瑞浦 or 3PEAK trade names, trademarks, graphic marks, and domain names contained in this document /material are the property of 3PEAK. You may NOT reproduce, modify, publish, transmit or distribute any Trademark without the prior written consent of 3PEAK.

**Performance Information.** Performance tests or performance range contained in this document/material are either results of design simulation or actual tests conducted under designated testing environment. Any variation in testing environment or simulation environment, including but not limited to testing method, testing process or testing temperature, may affect actual performance of the product.

**Disclaimer.** 3PEAK provides technical and reliability data (including data sheets), design resources (including reference designs), application or other design recommendations, networking tools, security information and other resources "As Is". 3PEAK makes no warranty as to the absence of defects, and makes no warranties of any kind, express or implied, including without limitation, implied warranties as to merchantability, fitness for a particular purpose or non-infringement of any third-party's intellectual property rights. Unless otherwise specified in writing, products supplied by 3PEAK are not designed to be used in any life-threatening scenarios, including critical medical applications, automotive safety-critical systems, aviation, aerospace, or any situations where failure could result in bodily harm, loss of life, or significant property damage. 3PEAK disclaims all liability for any such unauthorized use.

This page intentionally left blank