

Features

- Input Voltage Range: 1.75 V to 5.5 V
- Output Voltage Range: 0.9 V to 5 V
- $\pm 2\%$ Output Accuracy Over Line, Load Regulation, and Operating Temperature Range
- 300-mA Maximum Output Current
- Excellent Transient Response
- Low Dropout Voltage: 150 mV Maximum at 300 mA
- High PSRR:
 - 81.9 dB at 1 kHz
 - 87.9 dB at 10 kHz
 - 61.4 dB at 100 kHz
 - 44.7 dB at 1 MHz
- 8.6- μ V_{RMS} Output Voltage Noise
- Excellent Transient Response
- Output Reverse Current Protection
- Stable with a 1- μ F or Larger Ceramic Output Capacitor
- Thermal Shutdown and Over-Current Protection
- Junction Temperature Range: -40°C to $+125^{\circ}\text{C}$
- Package Options:
 - SOT23-5
 - DFN 1x1-4
 - WLCSP 0.65x0.65-4

Applications

- Portable and Battery-Powered Equipment
- Mobile Phones and Tablets
- Digital Cameras and Audio Devices Power Supply
- Video Surveillance

Description

The TPL9032 series products are 300-mA high PSRR, ultra-low noise, and low dropout linear regulators with high output accuracy. The TPL9032 series products support both fixed output voltage ranges from 0.9 V to 5 V and are stable with 1 μ F or larger ceramic output capacitor.

The TPL9032 series products have high PSRR with 87.9 dB at 10 kHz and 8.6 μ V_{RMS} ultra-low noise. These features make TPL9032 series products very suitable for noise-sensitive applications with high noise from previous stage power supply, such as high-performance analog devices, or high-definition imaging equipment. Output shortage protection and thermal overload protection circuits improve the reliability under heavy load conditions.

The TPL9032 series products provide SOT23-5, 1x1 DFN-4, and 0.65x0.65 WLCSP-4 packages with guaranteed operating junction temperature range (T_J) from -40°C to $+125^{\circ}\text{C}$.

Typical Application Circuit

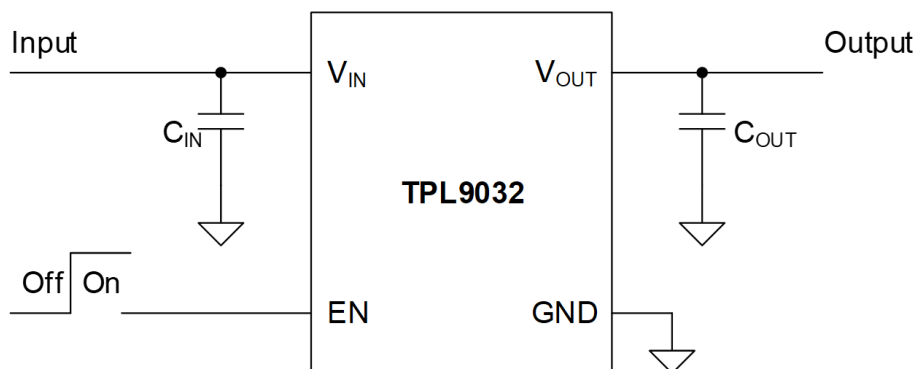


Table of Contents

Features	1
Applications	1
Description	1
Typical Application Circuit	1
Product Family Table	3
Product Family Table	4
Product Family Table	5
Revision History	6
Pin Configuration and Functions	7
Specifications	8
Absolute Maximum Ratings ⁽¹⁾	8
ESD, Electrostatic Discharge Protection.....	8
Recommended Operating Conditions.....	8
Thermal Information.....	8
Electrical Characteristics.....	9
Typical Performance Characteristics.....	11
Detailed Description	13
Overview.....	13
Functional Block Diagram.....	13
Feature Description.....	13
Application and Implementation	15
Application Information	15
Typical Application.....	15
Layout	16
Layout Guideline.....	16
Tape and Reel Information	17
Package Outline Dimensions	19
SOT23-5.....	19
WLCSP.....	20
Order Information	21
IMPORTANT NOTICE AND DISCLAIMER	22

Product Family Table

Part Number	Orderable Number	Output Voltage	Package	Transport Media, Quantity	MSL	Marking Information
TPL9032	TPL903209-S5TR ⁽¹⁾	0.9 V	SOT23-5	Tape and Reel, 3,000	MSL3	L8D
TPL9032	TPL903210-S5TR ⁽¹⁾	1.0 V	SOT23-5	Tape and Reel, 3,000	MSL3	L8E
TPL9032	TPL903211-S5TR ⁽¹⁾	1.1 V	SOT23-5	Tape and Reel, 3,000	MSL3	L8F
TPL9032	TPL903212-S5TR	1.2 V	SOT23-5	Tape and Reel, 3,000	MSL3	L8G
TPL9032	TPL903213-S5TR ⁽¹⁾	1.3 V	SOT23-5	Tape and Reel, 3,000	MSL3	L8H
TPL9032	TPL903215-S5TR	1.5 V	SOT23-5	Tape and Reel, 3,000	MSL3	L8I
TPL9032	TPL903216-S5TR ⁽¹⁾	1.6 V	SOT23-5	Tape and Reel, 3,000	MSL3	L8J
TPL9032	TPL903218-S5TR	1.8 V	SOT23-5	Tape and Reel, 3,000	MSL3	L8K
TPL9032	TPL903219-S5TR ⁽¹⁾	1.9 V	SOT23-5	Tape and Reel, 3,000	MSL3	L8L
TPL9032	TPL903221-S5TR ⁽¹⁾	2.1 V	SOT23-5	Tape and Reel, 3,000	MSL3	L8M
TPL9032	TPL903222-S5TR ⁽¹⁾	2.2 V	SOT23-5	Tape and Reel, 3,000	MSL3	L8N
TPL9032	TPL903224-S5TR ⁽¹⁾	2.4 V	SOT23-5	Tape and Reel, 3,000	MSL3	L8O
TPL9032	TPL903225-S5TR	2.5 V	SOT23-5	Tape and Reel, 3,000	MSL3	L8P
TPL9032	TPL903226-S5TR ⁽¹⁾	2.6 V	SOT23-5	Tape and Reel, 3,000	MSL3	L8Q
TPL9032	TPL903227-S5TR ⁽¹⁾	2.7 V	SOT23-5	Tape and Reel, 3,000	MSL3	L8R
TPL9032	TPL903228-S5TR	2.8 V	SOT23-5	Tape and Reel, 3,000	MSL3	L8T
TPL9032	TPL903229-S5TR	2.9 V	SOT23-5	Tape and Reel, 3,000	MSL3	L8V
TPL9032	TPL903230-S5TR	3.0 V	SOT23-5	Tape and Reel, 3,000	MSL3	L8W
TPL9032	TPL903231-S5TR ⁽¹⁾	3.1 V	SOT23-5	Tape and Reel, 3,000	MSL3	L8X
TPL9032	TPL903232-S5TR ⁽¹⁾	3.2 V	SOT23-5	Tape and Reel, 3,000	MSL3	L8Y
TPL9032	TPL903233-S5TR	3.3 V	SOT23-5	Tape and Reel, 3,000	MSL3	L8Z
TPL9032	TPL903235-S5TR ⁽¹⁾	3.5 V	SOT23-5	Tape and Reel, 3,000	MSL3	L81
TPL9032	TPL903236-S5TR	3.6 V	SOT23-5	Tape and Reel, 3,000	MSL3	L82
TPL9032	TPL903237-S5TR ⁽¹⁾	3.7 V	SOT23-5	Tape and Reel, 3,000	MSL3	L83
TPL9032	TPL903240-S5TR ⁽¹⁾	4.0 V	SOT23-5	Tape and Reel, 3,000	MSL3	L84
TPL9032	TPL903245-S5TR	4.5 V	SOT23-5	Tape and Reel, 3,000	MSL3	L85
TPL9032	TPL903250-S5TR ⁽¹⁾	5.0 V	SOT23-5	Tape and Reel, 3,000	MSL3	L86

(1) For future products, contact the 3PEAK factory for more information and samples.

Product Family Table

Part Number	Orderable Number	Output Voltage	Package	Transport Media, Quantity	MSL	Marking Information
TPL9032	TPL903209-DF1R ⁽¹⁾	0.9 V	DFN1x1-4	Tape and Reel, 12,000	MSL3	L8D
TPL9032	TPL903210-DF1R ⁽¹⁾	1.0 V	DFN1x1-4	Tape and Reel, 12,000	MSL3	L8E
TPL9032	TPL903211-DF1R ⁽¹⁾	1.1 V	DFN1x1-4	Tape and Reel, 12,000	MSL3	L8F
TPL9032	TPL903212-DF1R	1.2 V	DFN1x1-4	Tape and Reel, 12,000	MSL3	L8G
TPL9032	TPL903213-DF1R ⁽¹⁾	1.3 V	DFN1x1-4	Tape and Reel, 12,000	MSL3	L8H
TPL9032	TPL903215-DF1R ⁽¹⁾	1.5 V	DFN1x1-4	Tape and Reel, 12,000	MSL3	L8I
TPL9032	TPL903216-DF1R ⁽¹⁾	1.6 V	DFN1x1-4	Tape and Reel, 12,000	MSL3	L8J
TPL9032	TPL903218-DF1R	1.8 V	DFN1x1-4	Tape and Reel, 12,000	MSL3	L8K
TPL9032	TPL903219-DF1R ⁽¹⁾	1.9 V	DFN1x1-4	Tape and Reel, 12,000	MSL3	L8L
TPL9032	TPL903221-DF1R ⁽¹⁾	2.1 V	DFN1x1-4	Tape and Reel, 12,000	MSL3	L8M
TPL9032	TPL903222-DF1R ⁽¹⁾	2.2 V	DFN1x1-4	Tape and Reel, 12,000	MSL3	L8N
TPL9032	TPL903224-DF1R ⁽¹⁾	2.4 V	DFN1x1-4	Tape and Reel, 12,000	MSL3	L8O
TPL9032	TPL903225-DF1R	2.5 V	DFN1x1-4	Tape and Reel, 12,000	MSL3	L8P
TPL9032	TPL903226-DF1R ⁽¹⁾	2.6 V	DFN1x1-4	Tape and Reel, 12,000	MSL3	L8Q
TPL9032	TPL903227-DF1R ⁽¹⁾	2.7 V	DFN1x1-4	Tape and Reel, 12,000	MSL3	L8R
TPL9032	TPL903228-DF1R	2.8 V	DFN1x1-4	Tape and Reel, 12,000	MSL3	L8T
TPL9032	TPL903229-DF1R	2.9 V	DFN1x1-4	Tape and Reel, 12,000	MSL3	L8V
TPL9032	TPL903230-DF1R	3.0 V	DFN1x1-4	Tape and Reel, 12,000	MSL3	L8W
TPL9032	TPL903231-DF1R	3.1 V	DFN1x1-4	Tape and Reel, 12,000	MSL3	L8X
TPL9032	TPL903232-DF1R ⁽¹⁾	3.2 V	DFN1x1-4	Tape and Reel, 12,000	MSL3	L8Y
TPL9032	TPL903233-DF1R	3.3 V	DFN1x1-4	Tape and Reel, 12,000	MSL3	L8Z
TPL9032	TPL903235-DF1R ⁽¹⁾	3.5 V	DFN1x1-4	Tape and Reel, 12,000	MSL3	L81
TPL9032	TPL903236-DF1R ⁽¹⁾	3.6 V	DFN1x1-4	Tape and Reel, 12,000	MSL3	L82
TPL9032	TPL903237-DF1R ⁽¹⁾	3.7 V	DFN1x1-4	Tape and Reel, 12,000	MSL3	L83
TPL9032	TPL903240-DF1R ⁽¹⁾	4.0 V	DFN1x1-4	Tape and Reel, 12,000	MSL3	L84
TPL9032	TPL903245-DF1R ⁽¹⁾	4.5 V	DFN1x1-4	Tape and Reel, 12,000	MSL3	L85
TPL9032	TPL903250-DF1R ⁽¹⁾	5.0 V	DFN1x1-4	Tape and Reel, 12,000	MSL3	L86

(1) For future products, contact the 3PEAK factory for more information and samples.

Product Family Table

Part Number	Orderable Number	Output Voltage	Package	Transport Media, Quantity	MSL	Marking Information
TPL9032	TPL903209-WS1R ⁽¹⁾	0.9 V	WLCSP-4	Tape and Reel, 3000	MSL3	8D
TPL9032	TPL903210-WS1R ⁽¹⁾	1.0 V	WLCSP-4	Tape and Reel, 3000	MSL3	8E
TPL9032	TPL903211-WS1R ⁽¹⁾	1.1 V	WLCSP-4	Tape and Reel, 3000	MSL3	8F
TPL9032	TPL903212-WS1R ⁽¹⁾	1.2 V	WLCSP-4	Tape and Reel, 3000	MSL3	8G
TPL9032	TPL903213-WS1R ⁽¹⁾	1.3 V	WLCSP-4	Tape and Reel, 3000	MSL3	8H
TPL9032	TPL903215-WS1R ⁽¹⁾	1.5 V	WLCSP-4	Tape and Reel, 3000	MSL3	8I
TPL9032	TPL903216-WS1R ⁽¹⁾	1.6 V	WLCSP-4	Tape and Reel, 3000	MSL3	8J
TPL9032	TPL903218-WS1R ⁽¹⁾	1.8 V	WLCSP-4	Tape and Reel, 3000	MSL3	8K
TPL9032	TPL90321875-WS1R	1.875 V	WLCSP-4	Tape and Reel, 3000	MSL3	88
TPL9032	TPL903219-WS1R ⁽¹⁾	1.9 V	WLCSP-4	Tape and Reel, 3000	MSL3	8L
TPL9032	TPL903221-WS1R ⁽¹⁾	2.1 V	WLCSP-4	Tape and Reel, 3000	MSL3	8M
TPL9032	TPL903222-WS1R ⁽¹⁾	2.2 V	WLCSP-4	Tape and Reel, 3000	MSL3	8N
TPL9032	TPL903224-WS1R ⁽¹⁾	2.4 V	WLCSP-4	Tape and Reel, 3000	MSL3	8O
TPL9032	TPL903225-WS1R	2.5 V	WLCSP-4	Tape and Reel, 3000	MSL3	8P
TPL9032	TPL903226-WS1R ⁽¹⁾	2.6 V	WLCSP-4	Tape and Reel, 3000	MSL3	8Q
TPL9032	TPL903227-WS1R ⁽¹⁾	2.7 V	WLCSP-4	Tape and Reel, 3000	MSL3	8R
TPL9032	TPL903228-WS1R ⁽¹⁾	2.8 V	WLCSP-4	Tape and Reel, 3000	MSL3	8T
TPL9032	TPL9032285-WS1R	2.85V	WLCSP-4	Tape and Reel, 3000	MSL3	8U
TPL9032	TPL903229-WS1R ⁽¹⁾	2.9 V	WLCSP-4	Tape and Reel, 3000	MSL3	8V
TPL9032	TPL903230-WS1R ⁽¹⁾	3.0 V	WLCSP-4	Tape and Reel, 3000	MSL3	8W
TPL9032	TPL903231-WS1R	3.1 V	WLCSP-4	Tape and Reel, 3000	MSL3	8X
TPL9032	TPL903232-WS1R ⁽¹⁾	3.2 V	WLCSP-4	Tape and Reel, 3000	MSL3	8Y
TPL9032	TPL903233-WS1R ⁽¹⁾	3.3 V	WLCSP-4	Tape and Reel, 3000	MSL3	8Z
TPL9032	TPL903235-WS1R ⁽¹⁾	3.5 V	WLCSP-4	Tape and Reel, 3000	MSL3	81
TPL9032	TPL903236-WS1R ⁽¹⁾	3.6 V	WLCSP-4	Tape and Reel, 3000	MSL3	82
TPL9032	TPL903237-WS1R ⁽¹⁾	3.7 V	WLCSP-4	Tape and Reel, 3000	MSL3	83
TPL9032	TPL903240-WS1R ⁽¹⁾	4.0 V	WLCSP-4	Tape and Reel, 3000	MSL3	84
TPL9032	TPL903245-WS1R ⁽¹⁾	4.5 V	WLCSP-4	Tape and Reel, 3000	MSL3	85
TPL9032	TPL903250-WS1R ⁽¹⁾	5.0 V	WLCSP-4	Tape and Reel, 3000	MSL3	86

(1) For future products, contact the 3PEAK factory for more information and samples.

Revision History

Date	Revision	Notes
2019-08-31	Rev.Pre.0	Preliminary Version
2020-04-08	Rev.A.0	Initial Released
2021-05-14	Rev.A.1	Added Tape and Reel Information on Page 16
2024-01-12	Rev.A.2	1. Updated Thermal Information of WLCSP Package 2. Added Output Options of WLCSP Package

Pin Configuration and Functions

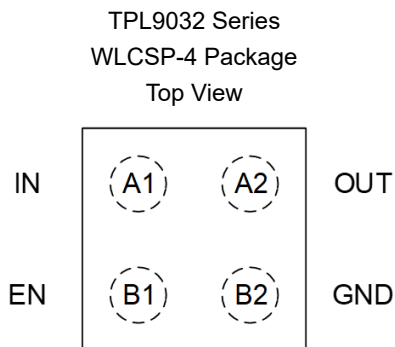
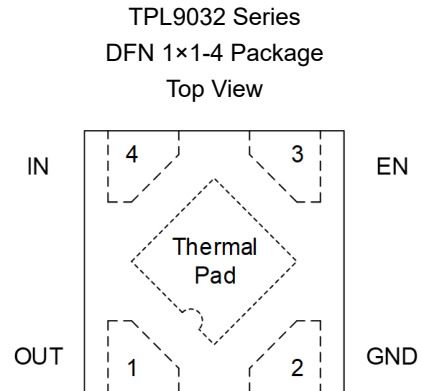
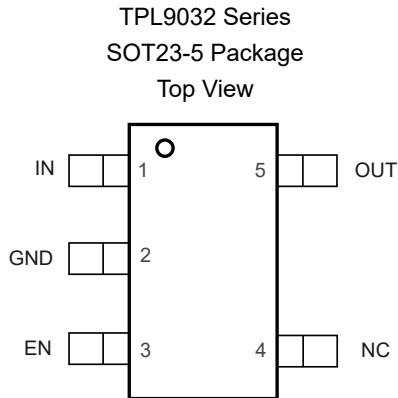


Table 1. Pin Functions: TPL9032 Series

Pin No.		Name	I/O	Description	
3	3	B1	EN	I	Regulator enable pin. Drive EN high to turn on the regulator; drive EN low to turn off the regulator. For automatic startup, connect EN to IN directly.
2	2	B2	GND	–	Ground reference pin. Connect the GND pin to the PCB ground plane directly.
1	4	A1	IN	I	Input voltage pin. Bypass IN to GND with a 1 μ F or greater capacitor.
4	–	–	NC	–	No connection.
5	1	A2	OUT	O	Regulated output voltage pin. Bypass OUT to GND with a 1 μ F or greater capacitor.

(1) Thermal Pad **MUST** be connected to PCB ground plane directly.

Specifications

Absolute Maximum Ratings ⁽¹⁾

Parameter		Min	Max	Unit
IN, EN		-0.3	6	V
OUT		-0.3	6	V
T _J	Junction Temperature Range	-40	150	°C
T _{STG}	Storage Temperature Range	-65	150	°C
T _L	Lead Temperature (Soldering 10 sec)		260	°C

(1) Stresses beyond those listed under Absolute Maximum Ratings may cause permanent damage to the device. Exposure to any Absolute Maximum Rating condition for extended periods may affect device reliability and lifetime.

(2) All voltage values are with respect to GND.

ESD, Electrostatic Discharge Protection

Parameter		Condition	Minimum Level	Unit
HBM	Human Body Model ESD	ANSI/ESDA/JEDEC JS-001 ⁽¹⁾	±6000	V
CDM	Charged Device Model ESD	ANSI/ESDA/JEDEC JS-002 ⁽²⁾	±1500	V

(1) JEDEC document JEP155 states that 500-V HBM allows safe manufacturing with a standard ESD control process.

(2) JEDEC document JEP157 states that 250-V CDM allows safe manufacturing with a standard ESD control process.

Recommended Operating Conditions

Parameter		Min	Max	Unit
IN		1.75	5.5	V
EN		0	V _{IN}	V
OUT		0	5.5	V
C _{OUT}		1	10	μF
ESR of C _{OUT}		0.001	0.1	Ω
T _J	Junction Temperature Range	-40	125	°C
P _D	Power Dissipation	0	400	mW

Thermal Information

Package Type	θ _{JA}	θ _{Jc}	θ _{JB}	Unit
SOT23-5	125.0	73.5	69.3	°C/W
DFN 1x1-4	210	110	°C/W	°C/W
WLCSP 0.65×0.65 -4	220	6	°C/W	°C/W

Electrical Characteristics

All test conditions: $V_{IN} = V_{OUT(NOM)} + 1\text{ V}$, $I_{OUT} = 1\text{ mA}$, $C_{IN} = 1\text{ }\mu\text{F}$, $C_{OUT} = 1\text{ }\mu\text{F}$, $-40^{\circ}\text{C} \leq T_J \leq +125^{\circ}\text{C}$, unless otherwise noted.

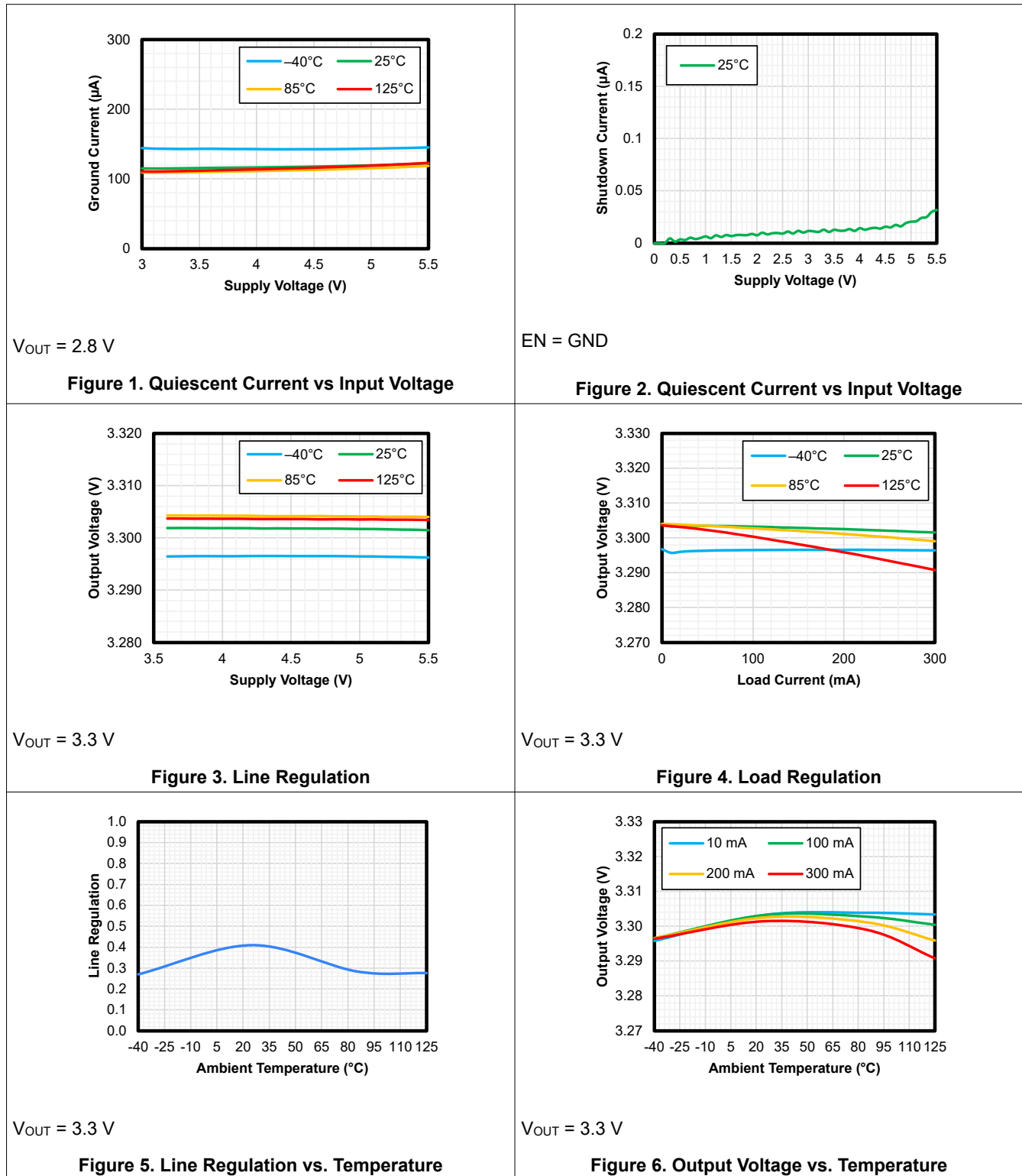
Parameter		Conditions	Min	Typ	Max	Unit
Supply Voltage and Current						
V_{IN}	Input Supply Voltage range		1.75		5.5	V
I_{GND}	Ground Pin Current	$I_{OUT} = 0\text{ mA}$		120		μA
I_{SHDN}	Shutdown Current	$EN = GND$		0.02	2	μA
Enable Input Voltage and Current						
$V_{IH(EN)}$	EN Logic-input High Level	Output Enable	1.2		V_{IN}	V
$V_{IL(EN)}$	EN Logic-input Low Level	Output Disable	0		0.4	V
I_{EN}	EN Pin Leakage Current	$V_{EN} = 5\text{ V}$		1	2	μA
Regulated Output Voltage and Current						
V_{OUT}	Output Voltage Accuracy	$-40^{\circ}\text{C} \leq T_J \leq +125^{\circ}\text{C}$, $0\text{ mA} \leq I_{OUT} \leq 300\text{ mA}$	-2%		2%	
		$-40^{\circ}\text{C} \leq T_J \leq +125^{\circ}\text{C}$, $0\text{ mA} \leq I_{OUT} \leq 500\text{ mA}$	-2.5%		2.5%	
ΔV_{OUT}	Line Regulation	$V_{IN} = V_{OUT(NOM)} + 1\text{ V to } 5.5\text{ V}$		1		mV
	Load Regulation	$V_{IN} = V_{OUT(NOM)} + 1\text{ V}$, $I_{OUT} = 1\text{ mA to } 500\text{ mA}$		5		mV
$V_{DO}^{(1)}$	Dropout Voltage	$V_{OUT} = 3.3\text{ V}$, $I_{OUT} = 100\text{ mA}$		30		mV
		$V_{OUT} = 3.3\text{ V}$, $I_{OUT} = 300\text{ mA}$		90	180	mV
		$V_{OUT} = 3.3\text{ V}$, $I_{OUT} = 500\text{ mA}$		150	300	mV
I_{OUT}	Output Current	V_{OUT} in regulation	0		500	mA
I_{CL}	Output Current Limit	$V_{OUT} = 0.9 \times V_{OUT(NOM)}$	550	800		mA
I_{SC}	Short-circuit Current Limit	$R_{LOAD} = 20\text{ m}\Omega$, $T_A = 25^{\circ}\text{C}$		100		mA
R_{DIS}	Active Output Discharge Resistance	$V_{EN} < V_{IL(EN)}$		290		Ω
PSRR	Power Supply Rejection Ratio	$I_{OUT} = 20\text{ mA}$, $f = 100\text{ Hz}$		82		dB
		$I_{OUT} = 20\text{ mA}$, $f = 1\text{ kHz}$		82		dB
		$I_{OUT} = 20\text{ mA}$, $f = 10\text{ kHz}$		88		dB
		$I_{OUT} = 20\text{ mA}$, $f = 100\text{ kHz}$		61		dB
		$I_{OUT} = 20\text{ mA}$, $f = 1\text{ MHz}$		45		dB
V_N	Output Noise Voltage	$I_{OUT} = 150\text{ mA}$, $BW = 10\text{ Hz to } 100\text{ kHz}$		8.6		μV_{RMS}
t_{STR}	Start-up Time	V_{OUT} reaches 95% of nominal output voltage after $EN = \text{high}$		750		μs
Temperature Range						
T_{SD}	Thermal Shutdown Temperature			165		$^{\circ}\text{C}$

Parameter	Conditions	Min	Typ	Max	Unit
Thermal Shutdown Hysteresis			15		°C

(1) Dropout voltage is the minimum input-to-output voltage differential needed to maintain regulation at a specified output current and measure for $V_{OUT(NOM)} \geq 1.8$ V. In the dropout mode, the output voltage will be equal to: $V_{IN} - V_{DROPOUT}$.

Typical Performance Characteristics

All test condition: $V_{IN} = V_{OUT(NOM)} + 1\text{ V}$, $I_{OUT} = 1\text{ mA}$, $C_{IN} = 1\text{ }\mu\text{F}$, $C_{OUT} = 1\text{ }\mu\text{F}$, $-40^{\circ}\text{C} \leq T_J \leq +125^{\circ}\text{C}$, unless otherwise noted.



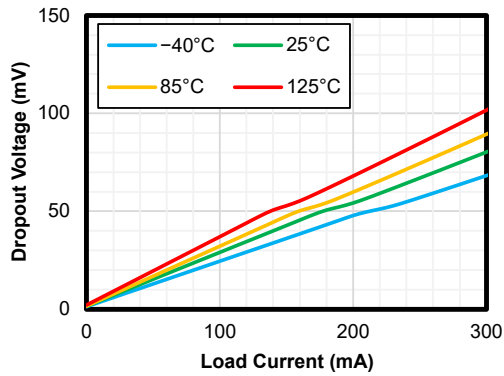


Figure 7. Dropout Voltage vs Output Current

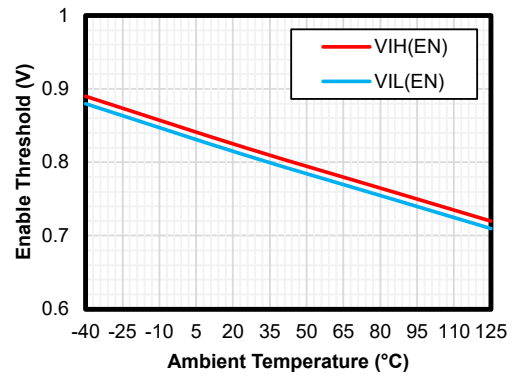


Figure 8. Enable Threshold vs. Temperature

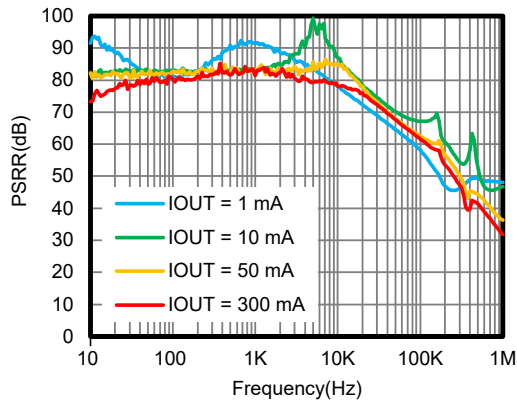
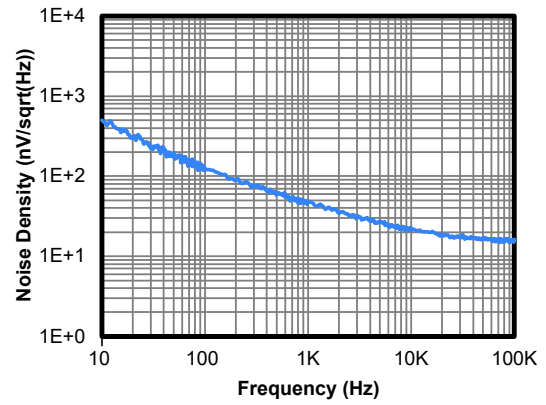
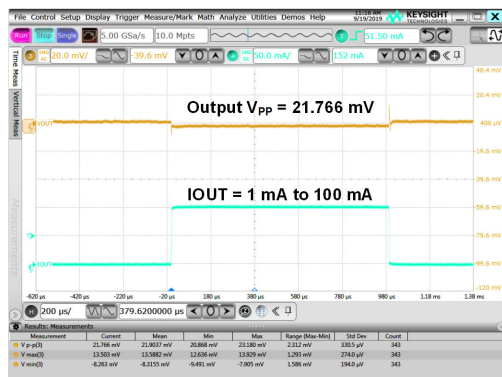


Figure 9. PSRR



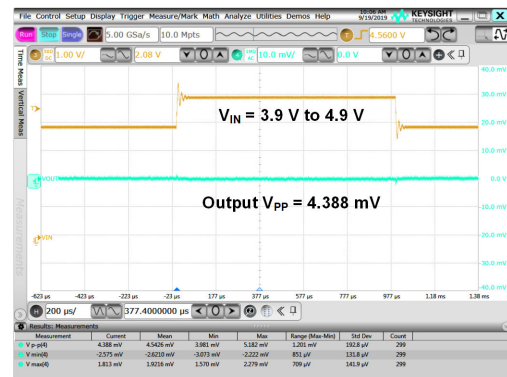
$I_{OUT} = 100 \text{ mA}$

Figure 10. Noise



$I_{OUT} = 1 \text{ mA to } 100 \text{ mA}, V_{PP} = 21.77 \text{ mV}$

Figure 11. Load Transient



$I_{OUT} = 1 \text{ mA to } 100 \text{ mA}, V_{PP} = 21.77 \text{ mV}$

Figure 12. Line Transient

Detailed Description

Overview

The TPL9032 series products are 300-mA high PSRR, ultra-low noise, and low dropout linear regulators with high output accuracy. The TPL9032 series products support both fixed output voltage ranges from 0.9 V to 5 V and are stable with 1 μF or larger ceramic output capacitor.

The TPL9032 series products have high PSRR with 87.9 dB at 10 kHz and 8.6 μVRMS ultra-low noise. These features make TPL9032 series products very suitable for noise-sensitive applications with high noise from the previous stage power supply, such as high-performance analog devices, or high-definition imaging equipment. Output shortage protection and thermal overload protection circuits improve the reliability under heavy load conditions.

Functional Block Diagram

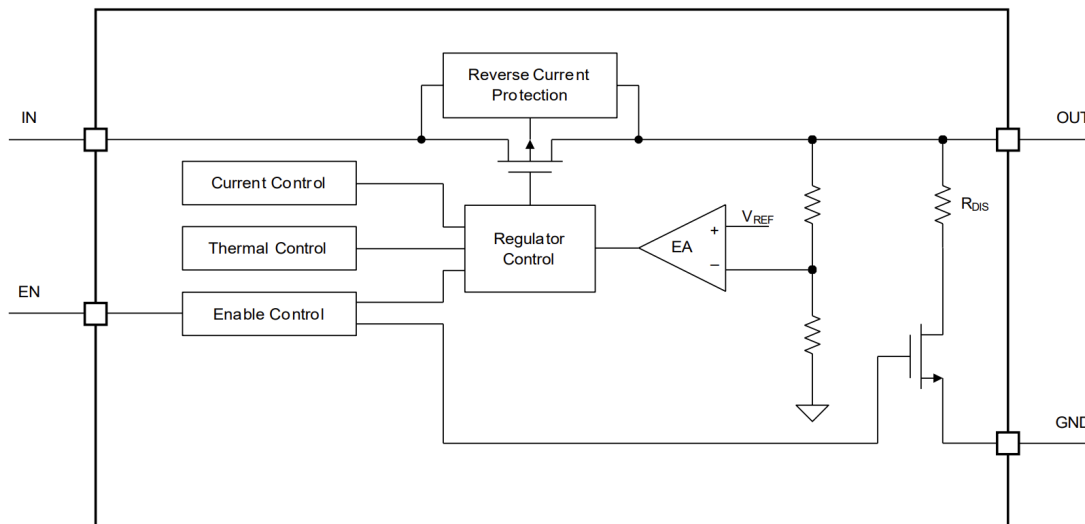


Figure 13. Functional Block Diagram

Feature Description

Enable (EN)

The enable pin (EN) is active high. Connect this pin to the GPIO of an external processor or digital logic control circuit to enable and disable the device. Or connect this pin to the IN pin for self-bias applications.

Operating Voltage Range (V_{IN})

The TPL9032 series does not include any dedicated UVLO circuitry. The output voltage of the TPL9032 series is not well regulated until V_{IN} exceeds 1.75 V or ($V_{OUT} + V_{DO}$).

Regulated Output Voltage (V_{OUT})

The TPL9032 series are available in fixed voltage versions of 0.9 V to 5 V. When the input voltage is higher than $V_{OUT}(\text{NOM}) + 1$, the output pin is the regulated output based on the selected voltage version. When the input voltage falls below $V_{OUT}(\text{NOM}) + 1$, the output pin tracks the input voltage minus the dropout voltage based on the load current.

Reverse-Current Protection (RCP)

The TPL9032 series provides reverse-current protection (RCP) to prevent output reverse current. If large capacitors have been used at the output, there would be a large reverse current when the input voltage is lower than the output voltage. The TPL9032 series can shut off the regulator and body diode path to prevent the device damaged from reverse current fault.

Current Limit

The TPL9032 series integrates an internal current limit that helps to protect the regulator during fault conditions. When the output is shorted, the LDO supplies a typical current of 100 mA. The output voltage is not regulated when the device is in current limit, and $V_{OUT} = I_{CL} \times R_{LOAD}$.

Thermal Shutdown

During normal operation, the LDO junction temperature should not exceed 125°C. When the junction temperature exceeds the thermal-shutdown threshold, the LDO shuts down the output immediately. Until when the junction temperature falls below a value, which equals to thermal-shutdown threshold minus thermal-shutdown hysteresis, the output turns on again.

Application and Implementation

Note

Information in the following application sections is not part of the 3PEAK's component specification and 3PEAK does not warrant its accuracy or completeness. 3PEAK's customers are responsible for determining suitability of components for their purposes. Customers should validate and test their design implementation to confirm system functionality.

Application Information

The TPL9032 devices are a series of 300-mA high PSRR, ultra-low noise, low-dropout linear regulator. The following application schematic shows a typical usage of the TPL9032 series.

Typical Application

Figure 14 shows the typical application schematic of the TPL9032 series.

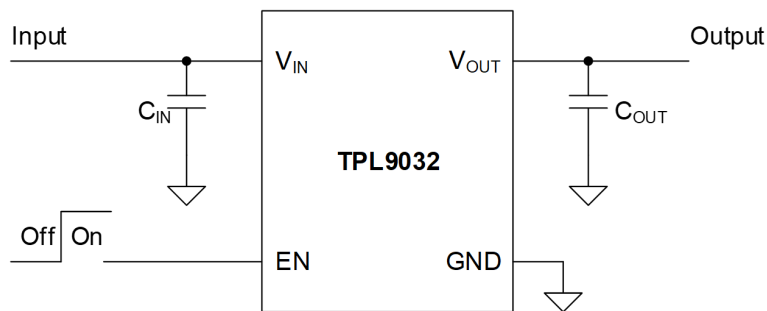


Figure 14. Typical Application Circuit

Input Capacitor and Output Capacitor

3PEAK recommends adding a 1- μ F or greater capacitor with a 0.1- μ F bypass capacitor in parallel at the IN pin to keep the input voltage stable. The voltage rating of the capacitors must be greater than the maximum input voltage.

To ensure loop stability, the TPL9052 series requires an output capacitor of 1 μ F or greater. 3PEAK recommends selecting an X5R- or X7R-type ceramic capacitor with low ESR over temperature.

Both input capacitors and output capacitors must be placed as close to the device pins as possible.

Power Dissipation

During normal operation, the LDO junction temperature should not exceed 125°C. Use the below equations to calculate the power dissipation and estimate the junction temperature.

The power dissipation can be calculated using [Equation 1](#).

$$P_D = (V_{IN} - V_{OUT}) \times I_{OUT} + V_{IN} \times I_{GND} \quad (1)$$

The junction temperature can be estimated using [Equation 2](#). θ_{JA} is the junction-to-ambient thermal resistance.

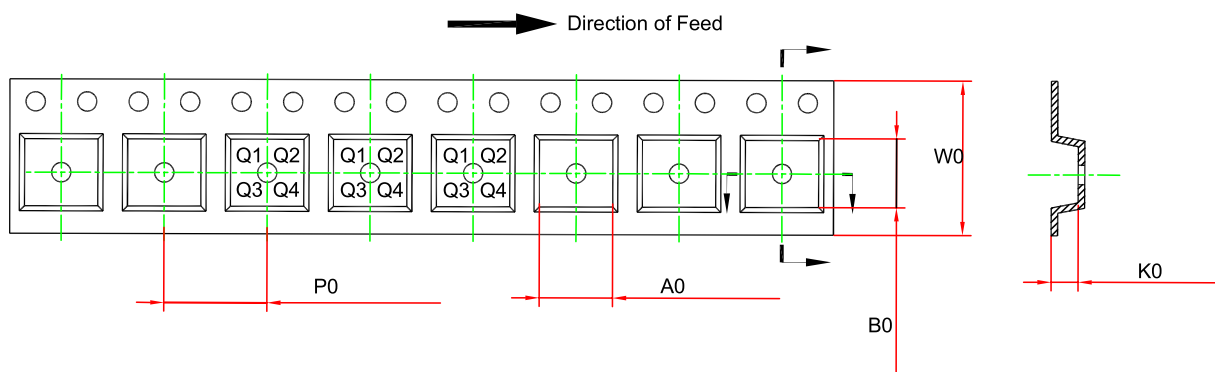
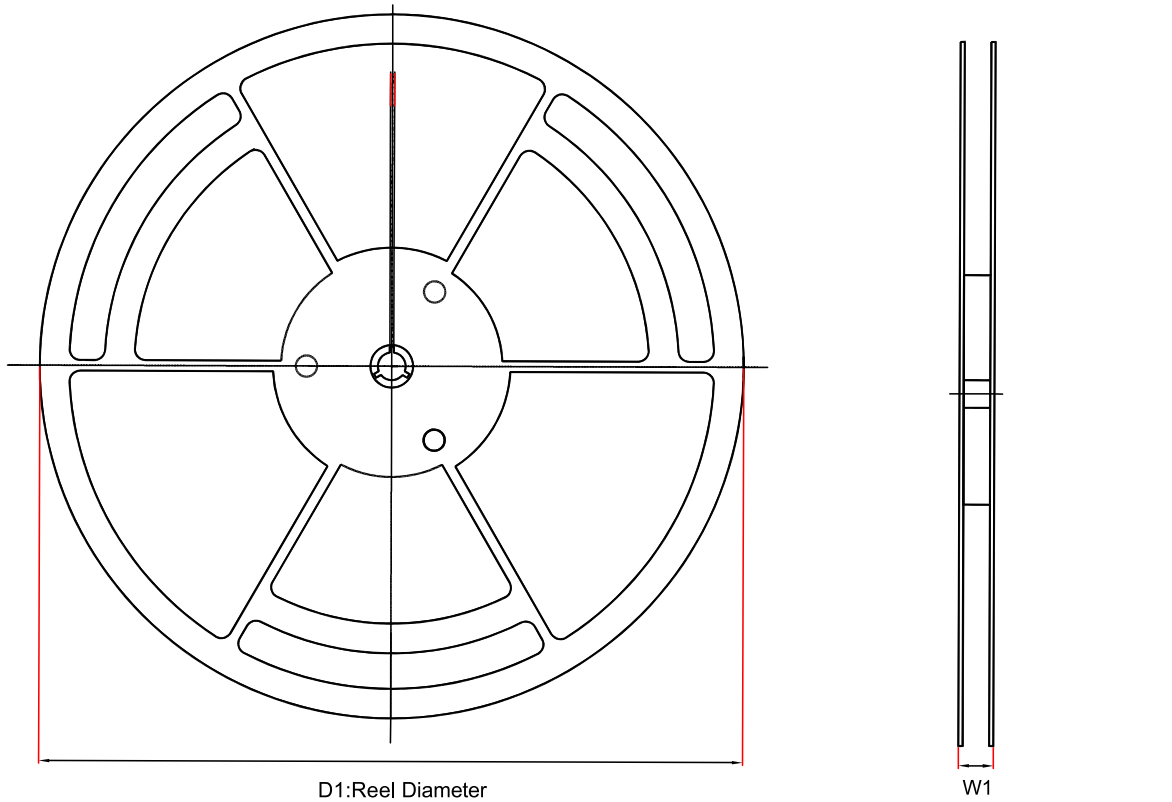
$$T_J = T_A + P_D \times \theta_{JA} \quad (2)$$

Layout

Layout Guideline

- Both input capacitors and output capacitors must be placed as close to the device pins as possible.
- It is recommended to bypass the input pin to ground with a 0.1- μ F bypass capacitor. The loop area formed by the bypass capacitor connection, the IN pin, and the GND pin of the system must be as small as possible.
- It is recommended to use wide and thick copper to minimize $I \times R$ drop and heat dissipation.

Tape and Reel Information



Order Number	Package	D1 (mm)	W1 (mm)	A0 (mm)	B0 (mm)	K0 (mm)	P0 (mm)	W0 (mm)	Pin1 Quadrant
TPL9032xx-S5TR-S ⁽¹⁾	SOT23-5	180.0	13.1	3.2	3.2	1.4	4.0	8.0	Q3
TPL9032xx-DF1R ⁽²⁾	DFN1x1-4	180.0	10.0	1.16	1.16	0.5	2.0	8.0	Q1
TPL903228-DF1R	DFN1x1-4	180.0	10.0	1.16	1.16	0.5	2.0	8.0	Q2

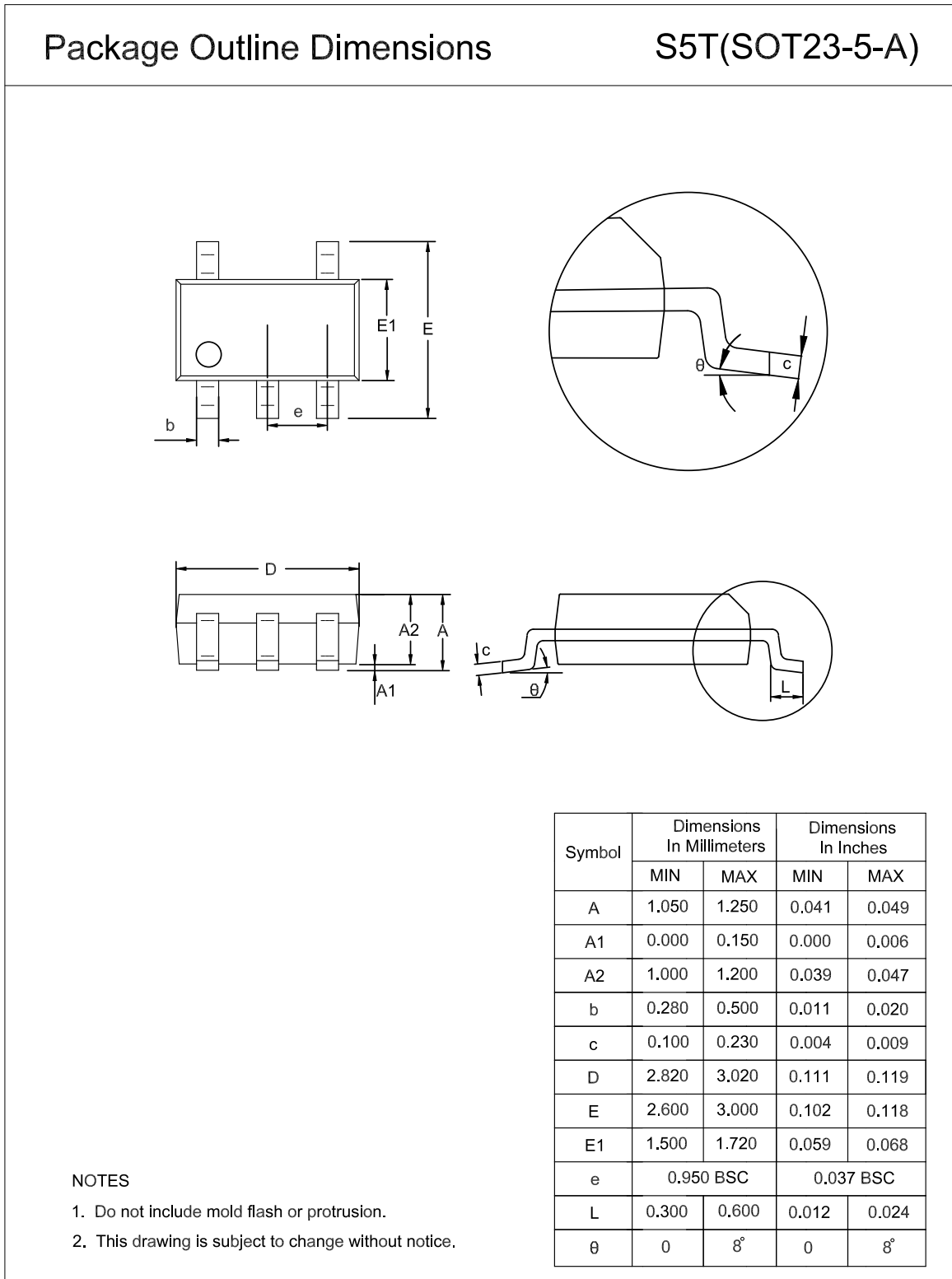
Order Number	Package	D1 (mm)	W1 (mm)	A0 (mm)	B0 (mm)	K0 (mm)	P0 (mm)	W0 (mm)	Pin1 Quadrant
TPL903229- DF1R	DFN1x1-4	180 .0	10.0	1.16	1.16	0.5	2.0	8.0	Q2
TPL9032xx- WS1R ⁽¹⁾	WLCSP0.65x0. 65-4	180.0	10.0	0.75	0.75	0.5	4	8	Q1

(1) Output voltage value, xx = 12 to 36. e.g., 33 means 3.3 V output voltage.

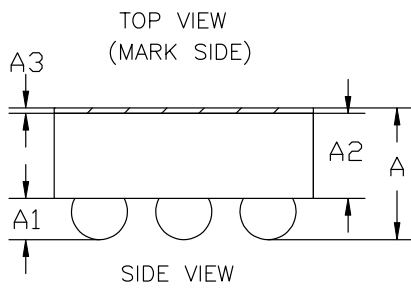
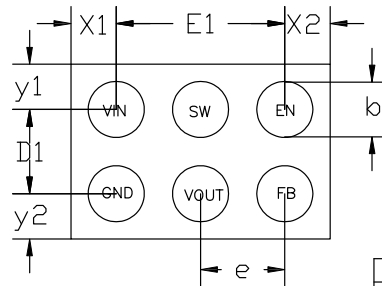
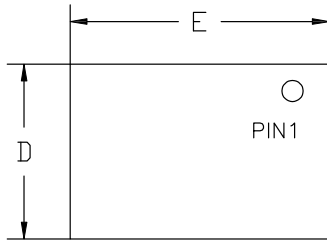
(2) Output voltages 2.8 V and 2.9 V are not included.

Package Outline Dimensions

SOT23-5



WLCSP



COMMON DIMENSIONS
(UNITS OF MEASURE=MILLIMETER)

SYMBOL	MIN	NOM	MAX
A	0.513	0.561	0.609
A1	0.176	0.196	0.216
A2	0.315	0.340	0.365
A3	0.022	0.025	0.028
D	0.810	0.830	0.850
D1	0.400BSC		
E	1.210	1.230	1.250
E1	0.800BSC		
b	0.246	0.266	0.286
e	0.400BSC		
x1	0.215 REF		
x2	0.215 REF		
y1	0.215 REF		
y2	0.215 REF		

ALL WAFER ORIENTATION NOTCH DOWN

Order Information

Order Number	Operating Temperature Range	Package	Marking Information	MSL	Transport Media, Quantity	Eco Plan
TPL905212-S5TR-S	-40°C to +125°C	SOT23-5	L8G	MSL3	Tape and Reel, 3,000	Green
TPL905215-S5TR-S	-40°C to +125°C	SOT23-5	L8I	MSL3	Tape and Reel, 3,000	Green
TPL905218-S5TR-S	-40°C to +125°C	SOT23-5	L8K	MSL3	Tape and Reel, 3,000	Green
TPL905225-S5TR-S	-40°C to +125°C	SOT23-5	L8P	MSL3	Tape and Reel, 3,000	Green
TPL905228-S5TR-S	-40°C to +125°C	SOT23-5	L8T	MSL3	Tape and Reel, 3,000	Green
TPL905230-S5TR-S	-40°C to +125°C	SOT23-5	L8W	MSL3	Tape and Reel, 3,000	Green
TPL905233-S5TR-S	-40°C to +125°C	SOT23-5	L8Z	MSL3	Tape and Reel, 3,000	Green
TPL905236-S5TR-S	-40°C to +125°C	SOT23-5	L82	MSL3	Tape and Reel, 3,000	Green

Green: 3PEAK defines "Green" to mean RoHS compatible and free of halogen substances.

IMPORTANT NOTICE AND DISCLAIMER

Copyright© 3PEAK 2012-2024. All rights reserved.

Trademarks. Any of the 思瑞浦 or 3PEAK trade names, trademarks, graphic marks, and domain names contained in this document /material are the property of 3PEAK. You may NOT reproduce, modify, publish, transmit or distribute any Trademark without the prior written consent of 3PEAK.

Performance Information. Performance tests or performance range contained in this document/material are either results of design simulation or actual tests conducted under designated testing environment. Any variation in testing environment or simulation environment, including but not limited to testing method, testing process or testing temperature, may affect actual performance of the product.

Disclaimer. 3PEAK provides technical and reliability data (including data sheets), design resources (including reference designs), application or other design recommendations, networking tools, security information and other resources "As Is". 3PEAK makes no warranty as to the absence of defects, and makes no warranties of any kind, express or implied, including without limitation, implied warranties as to merchantability, fitness for a particular purpose or non-infringement of any third-party's intellectual property rights. Unless otherwise specified in writing, products supplied by 3PEAK are not designed to be used in any life-threatening scenarios, including critical medical applications, automotive safety-critical systems, aviation, aerospace, or any situations where failure could result in bodily harm, loss of life, or significant property damage. 3PEAK disclaims all liability for any such unauthorized use.