

## Features

- Fixed Output Voltage:
  - 1.25 V, 2.048 V, 2.5 V, 3 V, 3.3 V, 4.096 V
- High Initial Accuracy and Low Temperature Coefficient
  - Max 0.15%
  - 30 ppm/°C
- Operation Temperature Range: -40°C to 125°C
- Output Noise: 50  $\mu$ Vpp of TPR3325
- Quiescent Current: 180  $\mu$ A
- Stable with 0.1 to 10- $\mu$ F Capacitive Loads
- Qualified for Automotive Applications with AEC-Q100 Reliability Test (SOT23G-3 Package)
- Package Options:
  - SOT23G-3
  - QFN1.5X1.5-8

## Applications

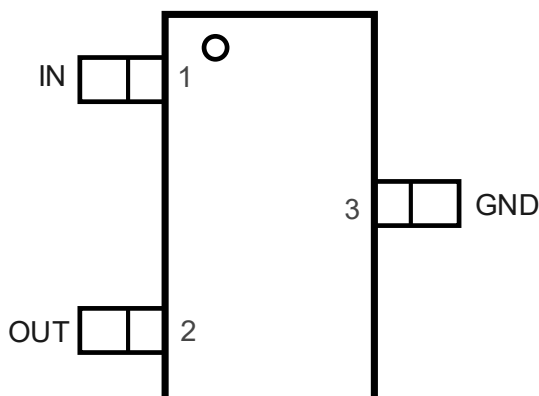
- Power
- Instrumentation
- Industry

## Description

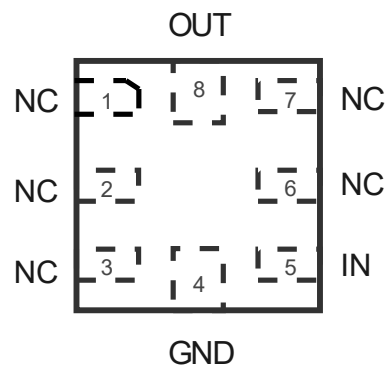
The TPR33-S is a voltage reference with guaranteed temperature stability over the entire operating temperature range. The temperature range is extended from -40 °C to +125 °C.

## Pin Configuration

TPR33-S  
SOT23G-3 Package  
Top View



TPR33-S  
QFN1.5X1.5-8 Package  
Top View



### Product Family Table

Order Number	Output Voltage (V)	AEC-Q100 Reliability Test	Package
TPR3312-S3TR-S	1.25	Pass	SOT23G-3
TPR3320-S3TR-S	2.048	Pass	SOT23G-3
TPR3325-S3TR-S	2.5	Pass	SOT23G-3
TPR3330-S3TR-S	3	Pass	SOT23G-3
TPR3333-S3TR-S	3.3	Pass	SOT23G-3
TPR3340-S3TR-S	4.096	Pass	SOT23G-3
TPR3312-QF11R-S	1.25	-	QFN1.5X1.5-8
TPR3320-QF11R-S	2.048	-	QFN1.5X1.5-8
TPR3325-QF11R-S	2.5	-	QFN1.5X1.5-8
TPR3330-QF11R-S	3	-	QFN1.5X1.5-8
TPR3333-QF11R-S	3.3	-	QFN1.5X1.5-8
TPR3340-QF11R-S	4.096	-	QFN1.5X1.5-8

## Table of Contents

<b>Features</b> .....	1
<b>Applications</b> .....	1
<b>Description</b> .....	1
<b>Pin Configuration</b> .....	1
<b>Product Family Table</b> .....	2
<b>Revision History</b> .....	4
<b>Specifications</b> .....	5
Absolute Maximum Ratings.....	5
ESD, Electrostatic Discharge Protection .....	5
Recommended Operating Conditions .....	5
Thermal Information .....	5
Electrical Characteristics .....	6
Typical Performance Characteristics – TPR3325 .....	8
<b>Tape and Reel Information</b> .....	11
<b>Package Outline Dimensions</b> .....	12
SOT23G-3 .....	12
QFN1.5X1.5-8 .....	13
<b>Order Information</b> .....	14
<b>IMPORTANT NOTICE AND DISCLAIMER</b> .....	15

## Revision History

Revision	Notes
Rev.Pre.0	Pre-Release version.
Rev.Pre.1	Updated Limit.
Rev.Pre.2	Updated Voltage Output.
Rev.A.0	Initial Version.
Rev.A.1	1. Added Tape and Reel Information. 2. Add common condition in electrical characteristics: $V_s = 5\text{ V}$ .
Rev.A.2	Updated ESD Rating.
Rev.A.3	1. Added typical value of Long-term stability. 2. Corrected test conditions in Electrical Characteristics table.
Rev.A.4	Updated SOT23G-3 Package Products with Qualified for Automotive Applications with AEC-Q100 Reliability Test.

## Specifications

### Absolute Maximum Ratings

Parameter		Min	Max	Unit
V <sub>IN</sub>	Supply Voltage	-0.3	6.9	V
T <sub>J</sub>	Junction Temperature Range	-40	150	°C
T <sub>A</sub>	Operating Temperature Range	-40	125	°C
T <sub>STG</sub>	Storage Temperature Range	-65	150	°C
T <sub>L</sub>	Lead Temperature (Soldering 10 sec)		260	°C

(1) Stresses beyond those listed under Absolute Maximum Ratings may cause permanent damage to the device. Exposure to any Absolute Maximum Rating condition for extended periods may affect device reliability and lifetime.

### ESD, Electrostatic Discharge Protection

Symbol	Parameter	Condition	Minimum Level	Unit
HBM	Human Body Model ESD	ANSI/ESDA/JEDEC JS-001 <sup>(1)</sup>	±4	kV
CDM	Charged Device Model ESD	ANSI/ESDA/JEDEC JS-002 <sup>(2)</sup>	±1.5	kV

(1) JEDEC document JEP155 states that 500-V HBM allows safe manufacturing with a standard ESD control process.

(2) JEDEC document JEP157 states that 250-V CDM allows safe manufacturing with a standard ESD control process.

### Recommended Operating Conditions

Parameter		Min	Max	Unit
V <sub>IN</sub>	Supply Voltage	2.1	5.5	V
T <sub>J</sub>	Junction Temperature Range	-40	125	°C

### Thermal Information

Package Type	θ <sub>JA</sub>	θ <sub>JC</sub>	Unit
SOT23G-3	250	81	°C/W
QFN 1.5X1.5-8	80	40	°C/W

**Electrical Characteristics**

All test conditions:  $V_{IN} = 5\text{ V}$ ,  $T_A = +25^\circ\text{C}$ , unless otherwise noted.

Symbol	Parameter	Conditions	Min	Typ	Max	Unit
<b>TPR3312</b>						
$V_{OUT}$	Output Voltage			1.25		V
	Initial Accuracy		-0.15		0.15	%
	Output Voltage Noise	f = 0.1 Hz to 10 Hz		25		$\mu\text{Vpp}$
<b>TPR3320</b>						
$V_{OUT}$	Output Voltage			2.048		V
	Initial Accuracy		-0.15		0.15	%
	Output Voltage Noise	f = 0.1 Hz to 10 Hz		40		$\mu\text{Vpp}$
<b>TPR3325</b>						
$V_{OUT}$	Output Voltage			2.5		V
	Initial Accuracy		-0.15		0.15	%
	Output Voltage Noise	f = 0.1 Hz to 10 Hz		50		$\mu\text{Vpp}$
<b>TPR3330</b>						
$V_{OUT}$	Output Voltage			3.0		V
	Initial Accuracy		-0.15		0.15	%
	Output Voltage Noise	f = 0.1 Hz to 10 Hz		60		$\mu\text{Vpp}$
<b>TPR3333</b>						
$V_{OUT}$	Output Voltage			3.3		V
	Initial Accuracy		-0.15		0.15	%
	Output Voltage Noise	f = 0.1 Hz to 10 Hz		66		$\mu\text{Vpp}$
<b>TPR3340</b>						
$V_{OUT}$	Output Voltage			4.096		V
	Initial Accuracy		-0.15		0.15	%
	Output Voltage Noise	f = 0.1 Hz to 10 Hz		80		$\mu\text{Vpp}$

**Electrical Characteristics (Continued)**

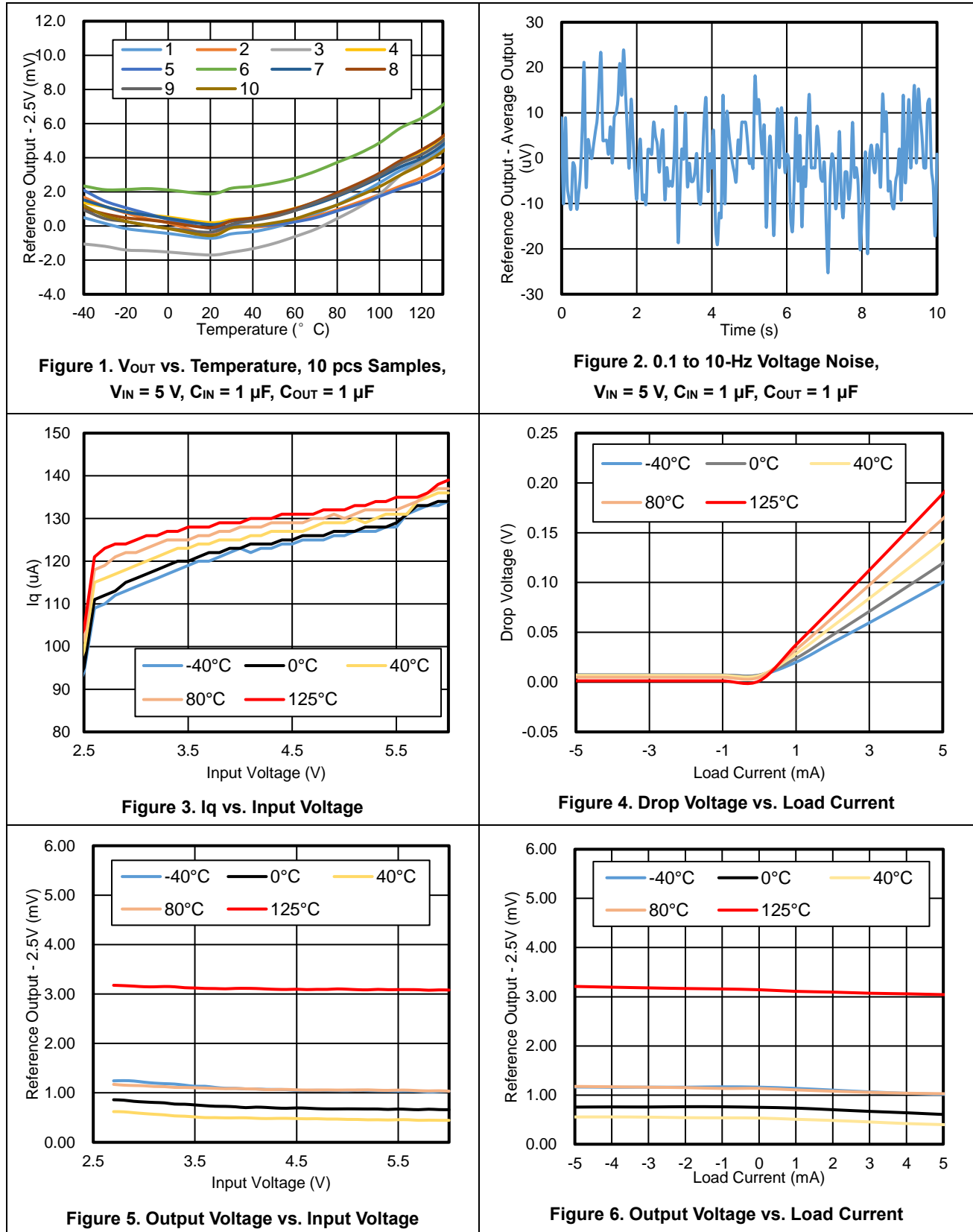
 All test conditions:  $V_{IN} = 5\text{ V}$ ,  $T_A = +25^\circ\text{C}$ , unless otherwise noted.

Symbol	Parameter	Conditions	Min	Typ	Max	Unit	
<b>TPR3312, TPR3320, TPR3325, TPR3330, TPR3333, TPR3340, Power Supply</b>							
$V_{IN}$	Supply Voltage	TPR3312	2.1		5.5	V	
		All parts except TPR3312, $I_{LOAD} = \pm 1\text{ mA}$	$V_{OUT} + 0.05$		5.5	V	
$I_q$	Quiescent Current				180	$\mu\text{A}$	
		$T_A = -40$ to $125^\circ\text{C}$			215	$\mu\text{A}$	
	Minimum Dropout Voltage	$I_{LOAD} = \pm 1\text{ mA}$ , all parts except TPR3312	$T_A = 25^\circ\text{C}$		25	50	mV
			$T_A = 0^\circ\text{C}$ to $70^\circ\text{C}$			50	mV
			$T_A = -40^\circ\text{C}$ to $125^\circ\text{C}$			100	mV
		$I_{LOAD} = \pm 5\text{ mA}$ , all parts except TPR3312	$T_A = 25^\circ\text{C}$			200	mV
			$T_A = -40^\circ\text{C}$ to $125^\circ\text{C}$			250	mV
<b>TPR3312, TPR3320, TPR3325, TPR3330, TPR3333, TPR3340, Reference Output</b>							
	Output Voltage Temperature Drift	$T_A = -40^\circ\text{C}$ to $85^\circ\text{C}$		10	20	ppm/ $^\circ\text{C}$	
		$T_A = -40^\circ\text{C}$ to $125^\circ\text{C}$		15	30		
	Line Regulation, TPR3312	$V_{IN} = 2.1$ to $5.5\text{ V}^{(1)}$	-65		65	ppm/V	
		$V_{IN} = 2.1$ to $5.5\text{ V}^{(1)}$ , $T_A = -40^\circ\text{C}$ to $125^\circ\text{C}$	-85		85	ppm/V	
	Line Regulation, TPR33XX except for TPR3312	$V_{IN} = V_{OUT} + 300$ mV to $5.5\text{ V}$		-50		50	ppm/V
			$T_A = -40^\circ\text{C}$ to $125^\circ\text{C}$	-70		70	ppm/V
	Load Regulation	$V_{IN} = V_{OUT} + 300$ mV, $I_{LOAD} = -5$ to $5\text{ mA}^{(1)}$		-20		20	ppm/mA
			$T_A = -40^\circ\text{C}$ to $125^\circ\text{C}$	-30		30	ppm/mA
	Long Term Stability	0 to 1000 hours, $T_A = 25^\circ\text{C}$		200		ppm	
		1000 to 2000 hours, $T_A = 25^\circ\text{C}$		200		ppm	
	Thermal Hysteresis			80		ppm	
$I_{SC}$	Short-circuit Current	Sourcing and sinking		50		mA	
	Capacitive Load		0.1		10	$\mu\text{F}$	
	Turn-on Settling Time	To 0.1% with $C_L = 1\ \mu\text{F}$		500		$\mu\text{s}$	

(1) The minimum supply voltage for the TPR3312 is 2.1 V.

Typical Performance Characteristics – TPR3325

All test conditions:  $T_A = +25^\circ\text{C}$ , unless otherwise noted.





### Typical Performance Characteristics – TPR3325 (Continued)

All test conditions:  $T_A = +25^\circ\text{C}$ , unless otherwise noted.

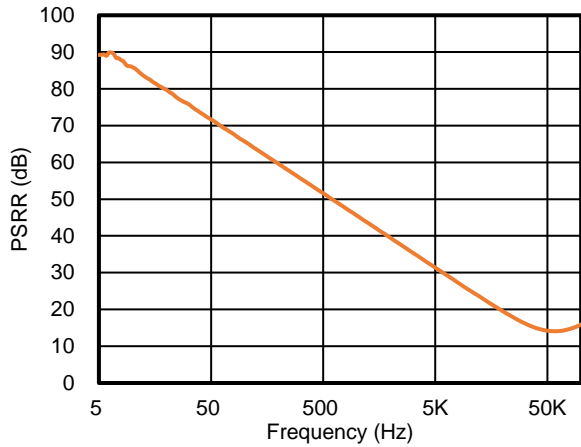


Figure 7. PSRR vs. Frequency

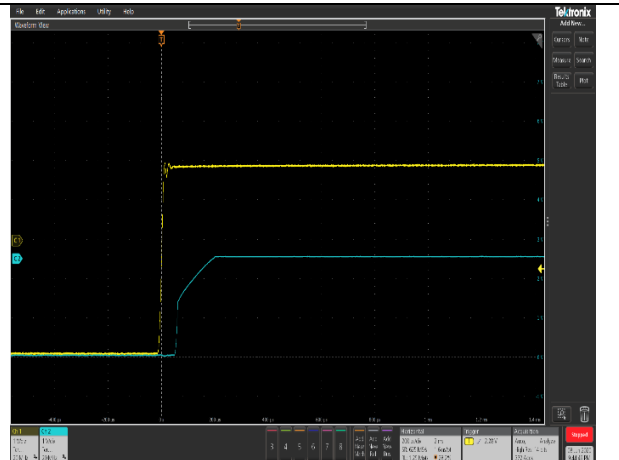


Figure 8. Step Response,  $V_{IN} = 5\text{ V}$ ,  $C_{IN} = 1\ \mu\text{F}$ ,  $C_{OUT} = 0.1\ \mu\text{F}$ ,  $200\ \mu\text{s/div}$

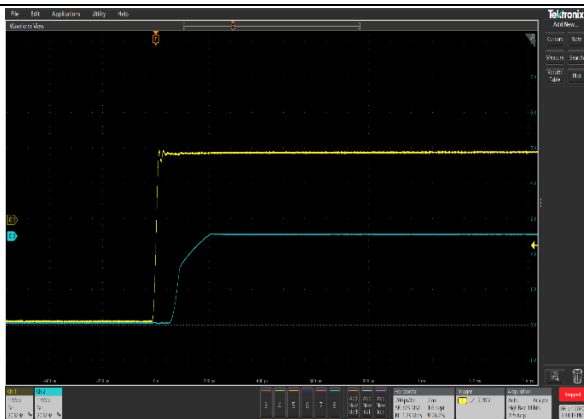


Figure 9. Step Response,  $V_{IN} = 5\text{ V}$ ,  $C_{IN} = 1\ \mu\text{F}$ ,  $C_{OUT} = 1\ \mu\text{F}$ ,  $200\ \mu\text{s/div}$

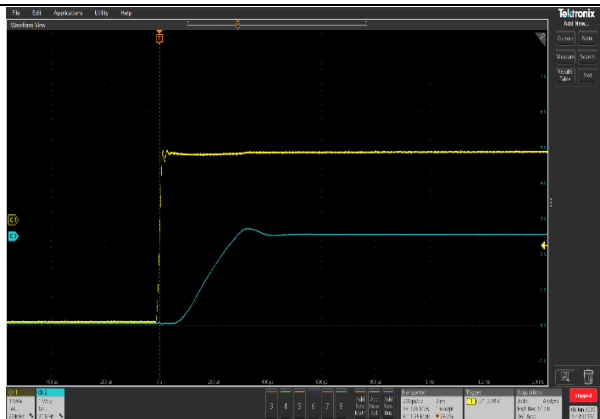


Figure 10. Step Response,  $V_{IN} = 5\text{ V}$ ,  $V_{IN} = 5\text{ V}$ ,  $C_{IN} = 1\ \mu\text{F}$ ,  $C_{OUT} = 10\ \mu\text{F}$ ,  $200\ \mu\text{s/div}$



Figure 11. Load Transient,  $\pm 8.8\text{ mA}$ ,  $V_{IN} = 5\text{ V}$ ,  $C_{IN} = 1\ \mu\text{F}$ ,  $C_{OUT} = 1\ \mu\text{F}$ ,  $50\text{ mV/div}$



Figure 12. Load Transient,  $\pm 8.8\text{ mA}$ ,  $V_{IN} = 2.8\text{ V}$ ,  $C_{IN} = 1\ \mu\text{F}$ ,  $C_{OUT} = 1\ \mu\text{F}$ ,  $50\text{ mV/div}$

### Typical Performance Characteristics – TPR3325 (Continued)

All test conditions:  $T_A = +25^\circ\text{C}$ , unless otherwise noted.



Figure 13. Load Transient,  $\pm 2$  mA,  $V_{IN} = 5$  V,  
 $C_{IN} = 1 \mu\text{F}$ ,  $C_{OUT} = 1 \mu\text{F}$ , 20 mV/div



Figure 14. Load Transient,  $\pm 2$  mA,  $V_{IN} = 2.8$  V,  
 $C_{IN} = 1 \mu\text{F}$ ,  $C_{OUT} = 1 \mu\text{F}$ , 20 mV/div

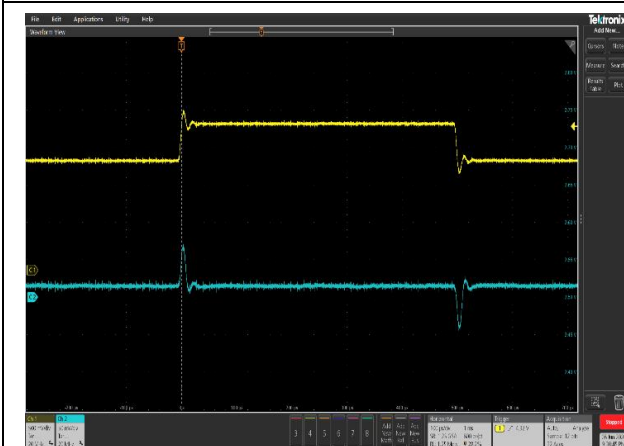
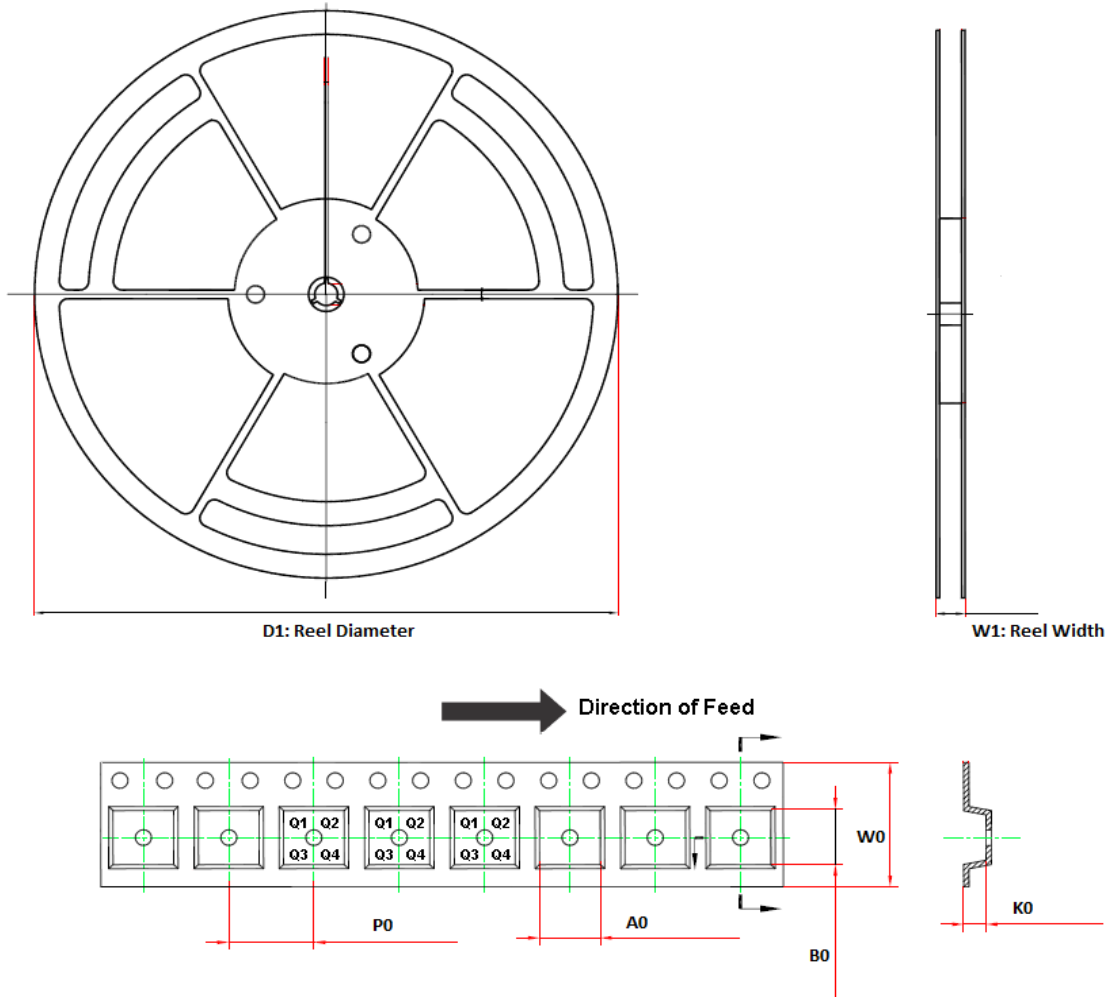


Figure 15. Line Transient, 500 mV Step,  
 $C_{IN} = 1 \mu\text{F}$ ,  $C_{OUT} = 1 \mu\text{F}$ , 50 mV/div

### Tape and Reel Information

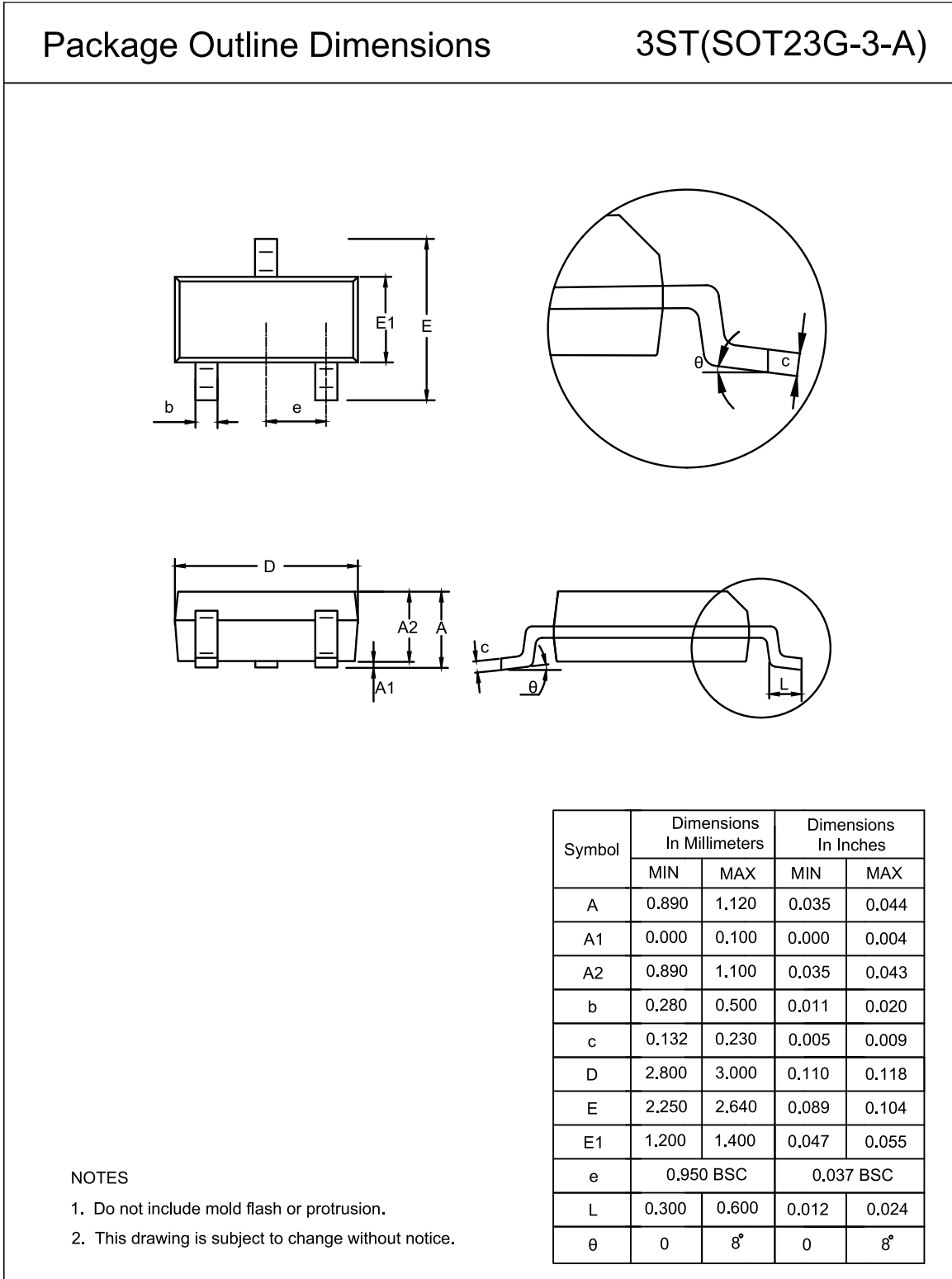


Order Number	Package	D1 (mm)	W1 (mm)	A0 (mm)	B0 (mm)	K0 (mm)	P0 (mm)	W0 (mm)	Pin1 Quadrant
TPR33xx-S3TR-S	SOT23G-3	178	12.1	3.15	2.77	1.22	4.0	8.0	Q3
TPR33xx-QF11R-S	QFN1.5X1.5-8	180	12.3	1.7	1.7	0.8	4.0	8.0	Q2

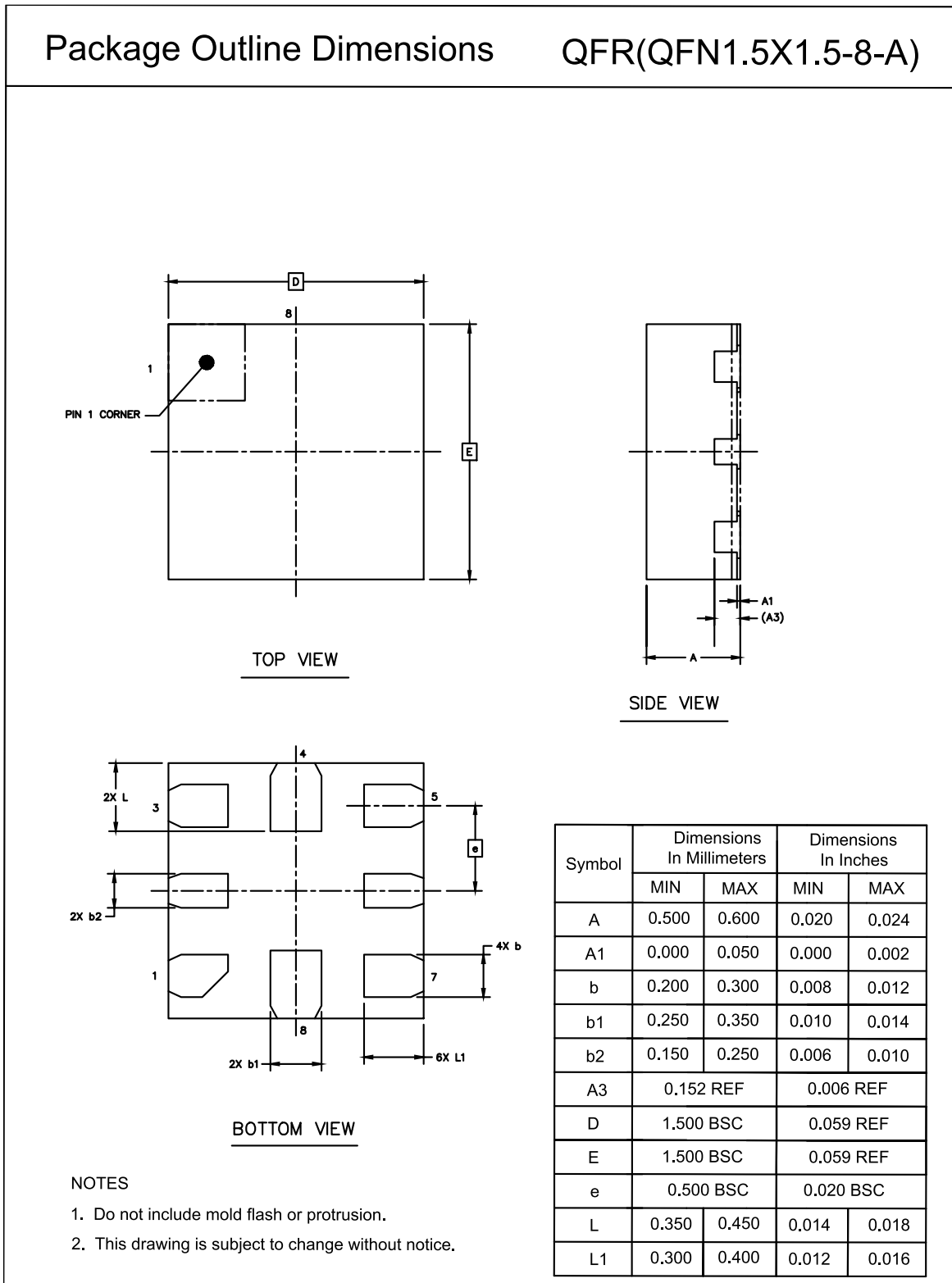
(1) Output voltage, xx = 12 to 40.

Package Outline Dimensions

SOT23G-3



QFN1.5X1.5-8



Order Information

Order Number	Operating Temperature Range	Package	Marking Information	MSL	Transport Media, Quantity	Eco Plan
TPR3312-S3TR-S	-40 to 125°C	SOT23G-3	R3A	MSL3	3,000	Green
TPR3320-S3TR-S	-40 to 125°C	SOT23G-3	R3B	MSL3	3,000	Green
TPR3325-S3TR-S	-40 to 125°C	SOT23G-3	R3C	MSL3	3,000	Green
TPR3330-S3TR-S	-40 to 125°C	SOT23G-3	R3D	MSL3	3,000	Green
TPR3333-S3TR-S	-40 to 125°C	SOT23G-3	R3E	MSL3	3,000	Green
TPR3340-S3TR-S	-40 to 125°C	SOT23G-3	R3F	MSL3	3,000	Green
TPR3312-QF11R-S	-40 to 125°C	QFN1.5X1.5-8	3A	MSL3	3,000	Green
TPR3320-QF11R-S <sup>(1)</sup>	-40 to 125°C	QFN1.5X1.5-8	3B	MSL3	3,000	Green
TPR3325-QF11R-S	-40 to 125°C	QFN1.5X1.5-8	3C	MSL3	3,000	Green
TPR3330-QF11R-S	-40 to 125°C	QFN1.5X1.5-8	3D	MSL3	3,000	Green
TPR3333-QF11R-S <sup>(1)</sup>	-40 to 125°C	QFN1.5X1.5-8	3E	MSL3	3,000	Green
TPR3340-QF11R-S <sup>(1)</sup>	-40 to 125°C	QFN1.5X1.5-8	3F	MSL3	3,000	Green

(1) For future products, contact the 3PEAK factory for more information and samples.

(2) Green: 3PEAK defines "Green" to mean RoHS compatible and free of halogen substances.

## IMPORTANT NOTICE AND DISCLAIMER

**Copyright**© 3PEAK 2012-2023. All rights reserved.

**Trademarks.** Any of the 思瑞浦 or 3PEAK trade names, trademarks, graphic marks, and domain names contained in this document /material are the property of 3PEAK. You may NOT reproduce, modify, publish, transmit or distribute any Trademark without the prior written consent of 3PEAK.

**Performance Information.** Performance tests or performance range contained in this document/material are either results of design simulation or actual tests conducted under designated testing environment. Any variation in testing environment or simulation environment, including but not limited to testing method, testing process or testing temperature, may affect actual performance of the product.

**Disclaimer.** 3PEAK provides technical and reliability data (including data sheets), design resources (including reference designs), application or other design recommendations, networking tools, security information and other resources "As Is". 3PEAK makes no warranty as to the absence of defects, and makes no warranties of any kind, express or implied, including without limitation, implied warranties as to merchantability, fitness for a particular purpose or non-infringement of any third-party's intellectual property rights. Unless otherwise specified in writing, products supplied by 3PEAK are not designed to be used in any life-threatening scenarios, including critical medical applications, automotive safety-critical systems, aviation, aerospace, or any situations where failure could result in bodily harm, loss of life, or significant property damage. 3PEAK disclaims all liability for any such unauthorized use.