

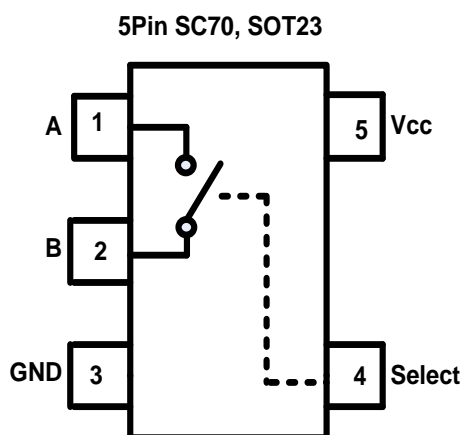
Features

- Supply Voltage: 1.65V to 5.5V
- Low ON-State Resistance: typical 1Ω at Vs = 4.5V
- Bandwidth: 100 MHz
- Fast switching times: t_{ON} =40 ns, t_{OFF} =15 ns
- Break-Before-Make Switching
- Operation Temperature Range: -40°C to 125°C

Applications

- Industry control systems
- Battery-powered systems
- Audio Signal Routing
- Portable Instruments and Mobile Device

Pin Configuration



Description

TPW3111 is high performance Single Pole/Single Throw (SPST) analog switches. The devices feature low R_{ON} of 1Ω maximum at 4.5V V_{CC} and will operate over the wide V_{CC} range of 1.65V to 5.5V.

The TPW3111 features very low quiescent current even when the control voltage is lower than the V_{CC} supply. This feature services the portable applications very well allowing for the direct interface with processor general purpose I/Os.

Function Table

Input: Select Pin	Function
Low	Switch Off
High	Switch On

Pin Description

Pin name	Pin No	Pin function
A	1	Switch Port 1
B	2	Switch Port 2
GND	3	Ground
Select	4	Select pin
V _{CC}	5	Power supply

Switch Select Table

	SPST*1	SPDT*1	SPDT*2	SPDT*3	(4:1)*2	(8:1)*1
5V, 1Ω	TPW3111	TPW4157	TPW3221 TPW3223			
5V, 4Ω	TPW3115	TPW3157A				
12V, 50Ω				TPW4053	TPW4052	TPW4051

Table of Contents

Features	1
Applications	1
Description	1
Function Table	1
Pin Description	1
Switch Select Table	1
Table of Contents	2
Revision History	3
Order Information	3
Absolute Maximum Ratings ^{Note 1}	4
ESD and Latch Up Rating	4
Thermal Information	4
Recommended Operating Conditions ^{Note 1}	4
Electrical Characteristics	5
VCC = 4.5 to 5.5V, unless otherwise noted.	5
VCC = 2.7 to 3.6V, unless otherwise noted.	6
VCC = 1.65 to 1.95V, unless otherwise noted.	7
Typical Performance Characteristics	8
Test Circuit and Waveforms	9
Application Information	10
Tape and Reel Information	11
Package Outline Dimensions	12
SC70-5	12
SOT23-5	13
IMPORTANT NOTICE AND DISCLAIMER	14

Revision History

Date	Revision	Notes
2019/5/1	Rev.Pre	Pre-Release Version

Order Information

Order Number	Operating Temperature Range	Package	Marking Information	MSL	Transport Media, Quantity
TPW3111-S5TR	-40 to 125°C	5-Pin SOT23	W11XX ^{Note 1}	3	Tape and Reel, 3000
TPW3111-SC5R	-40 to 125°C	5-Pin SC70	W11XX ^{Note 1}	3	Tape and Reel, 3000

Note 1: "XX" identify the manufacture information.

Absolute Maximum Ratings ^{Note 1}

Parameters	Rating
Supply Voltage, V_{CC}	-0.5V to 6V
Select Input Voltage	-0.5V to 6V
Select Input Diode Current	-50mA
Switch I/O Port Voltage	-0.5 to $V_{CC} + 0.5$
Switch I/O Port diode current	± 50 mA
Switch Current	200mA
Maximum Junction Temperature	150°C
Storage Temperature Range	-65 to 150°C
Lead Temperature (Soldering, 10 sec)	260°C

Note 1: Stresses beyond those listed under Absolute Maximum Ratings may cause permanent damage to the device. Exposure to any Absolute Maximum Rating condition for extended periods may affect device reliability and lifetime.

ESD and Latch Up Rating

Symbol	Parameter	Condition	Minimum Level	Unit
HBM	Human Body Model ESD	ANSI/ESDA/JEDEC JS-001	3.5	Kv
CDM	Charged Device Model ESD	ANSI/ESDA/JEDEC JS-002	2	Kv
LU	Latch Up	JESD 78, 25°C	800	mA
		JESD 78, 125°C	800	mA

Thermal Information

Package Type	θ_{JA}	θ_{JC}	Unit
6-Pin SC70	400		°C/W

Recommended Operating Conditions ^{Note 1}

Over operating temperature range

Parameters	Min	Max	Unit
Supply Voltage, V_{CC}	1.65	5.5	V
Select Input Voltage	0	V_{CC}	V
Input Transition Rise and Fall Rate		100	ns/V
Switch I/O Port Voltage	0V	V_{CC}	V
Operating Temperature Range	-40	125	°C

Note 1: Select input must be held HIGH or LOW and it must not float.

Electrical Characteristics

VCC = 4.5 to 5.5V, unless otherwise noted.

Symbol	Parameter	Conditions	V _{CC} (V)	25°C	-40°C to 85°C	-40°C to 125°C	Limit	Unit
Power Supply								
I _{CC}	Quiescent Supply Current	V _{IN} = 0V or V _{CC}	5.5	0.3	0.5	1.5	Max	μA
ΔI _{CC}	Increase in I _{CC} per Input	Select Input at 2.7V, others at V _{CC} or GND	4.3	20	25	25	Max	μA
Digital Input								
V _{IH}	Input Voltage High				2.4	2.4	Min	V
V _{IL}	Input Voltage Low				0.8	0.8	Max	V
I _{IN}	Control Input Leakage	V _{IN} = 0V or V _{CC}	5.5		±1	±1	Max	μA
Analog Switch								
R _{ON}		I _{OUT} = 100mA, A = 3.5V	4.5	0.95			Typ	Ω
R _{ON}		I _{OUT} = 100mA, A = 3.5V	4.5	1.15	1.4	1.5	Max	Ω
R _{FLAT(ON)}	On Resistance Flatness	I _{OUT} = 100mA, A = 0V, 1V, 2V	4.5	0.3	0.4	0.5	Max	Ω
I _{S(OFF)}	Switch OFF Leakage Current	A = 1V, 4.5V, B = 4.5V, 1V	5.5	±10	±25	±50	Max	nA
I _{S(ON)}	Switch ON Leakage Current	A = 1V, 4.5V, B = 1V, 4.5V or Floating	5.5	±10	±50	±100	Max	nA
Dynamic Characteristics								
t _{PHL} , t _{PLH}	Switch IN to OUT time	A = 3V, R _L = 50Ω, C _L = 35pF, Figure 4	4.5	5			Typ	ns
t _{ON}	Switch turn-on time	A = 3V, R _L = 50Ω, C _L = 35pF, Figure 4	4.5	40	45	45	Max	ns
t _{OFF}	Switch turn-off time	A = 3V, R _L = 50Ω, C _L = 35pF, Figure 4	4.5	15	20	20	Max	ns
t _B	Break before make time	A = 1.5V, R _L = 50Ω, C _L = 35pF, Figure 5	4.5	20			Typ	ns
Q	Charge Injection	C _L = 1.0nF, V _{GEN} = 0V, R _{GEN} = 0Ω, Figure 6	5.5	20			Typ	pC
	OFF-Isolation	f = 1MHz, R _L = 50Ω, Figure 7	5	-65			Typ	dB
	Crosstalk	f = 1MHz, R _L = 50Ω, Figure 8	5	-65			Typ	dB
BW	Bandwidth	R _L = 50Ω	5	100			Typ	MHz
THD	Total Harmonic Distortion	R _L = 600Ω, V _{IN} = 0.5V _{PP} , f = 20Hz to 20kHz	5	0.004			Typ	%
Capacitance								
C _{IN}	Select Input capacitance		5	5			Typ	pF
C _{OFF}	B-Port Off capacitance		5	12			Typ	pF
C _{ON}	ON Capacitance		5	40			Typ	pF

VCC = 2.7 to 3.6V, unless otherwise noted.

Symbol	Parameter	Conditions	V _{CC} (V)	25°C	-40°C to 85°C	-40°C to 125°C	Limit	Unit
Power Supply								
I _{CC}	Quiescent Supply Current	V _{IN} = 0V or V _{CC}	3.6	0.3	0.5	1.5	Max	μA
Digital Input								
V _{IH}	Input Voltage High				1.65	1.65	Min	V
V _{IL}	Input Voltage Low				0.6	0.6	Max	V
I _{IN}	Control Input Leakage	V _{IN} = 0V or V _{CC}	3.6		±1	±1	Max	μA
Analog Switch								
R _{ON}		I _{OUT} = 100mA, A = 1.5V	2.7	2			Typ	Ω
R _{ON}		I _{OUT} = 100mA, A = 1.5V	2.7	2.5	2.7	3	Max	Ω
R _{FLAT(ON)}	On Resistance Flatness	I _{OUT} = 100mA, A = 0V, 0.75V, 1.5V	2.7	1	1.1	1.2	Max	Ω
I _{S(OFF)}	Switch OFF Leakage Current	A = 0V, 3.6V, B = 3.6V, 0V	3.6	±10	±25	±50	Max	nA
I _{S(ON)}	Switch ON Leakage Current	A = 0V, 3.6V, B = 0V, 3.6V or Floating	3.6	±10	±50	±100	Max	nA
Dynamic Characteristics								
t _{PHL} , t _{PLH}	Switch IN to OUT time	A = 1.5V, R _L = 50Ω, C _L = 35pF, Figure 4	2.7	10			Typ	ns
t _{ON}	Switch turn-on time	A = 1.5V, R _L = 50Ω, C _L = 35pF, Figure 4	2.7	60	70	70	Max	ns
t _{OFF}	Switch turn-off time	A = 1.5V, R _L = 50Ω, C _L = 35pF, Figure 4	2.7	25	30	30	Max	ns
t _B	Break before make time	A = 1.5V, R _L = 50Ω, C _L = 35pF, Figure 5	2.7	20			Typ	ns
Q	Charge Injection	C _L = 1.0nF, V _{GEN} = 0V, R _{GEN} = 0Ω, Figure 6	3	20			Typ	pC
	OFF-Isolation	f = 1MHz, R _L = 50Ω, Figure 7	3	-65			Typ	dB
	Crosstalk	f = 1MHz, R _L = 50Ω, Figure 8	3	-65			Typ	dB
BW	Bandwidth	R _L = 50Ω	3	100			Typ	MHz
THD	Total Harmonic Distortion	R _L = 600Ω, V _{IN} = 0.5V _{PP} , f = 20Hz to 20kHz	3	0.01			Typ	%

VCC = 1.65 to 1.95V, unless otherwise noted.

Symbol	Parameter	Conditions	V _{CC} (V)	25°C	-40°C to 85°C	-40°C to 125°C	Limit	Unit
Power Supply								
I _{CC}	Quiescent Supply Current	V _{IN} = 0V or V _{CC}	1.95	0.3	0.5	1.5	Max	μA
Digital Input								
V _{IH}	Input Voltage High				1.4	1.4	Min	V
V _{IL}	Input Voltage Low				0.4	0.4	Max	V
I _{IN}	Control Input Leakage	V _{IN} = 0V or V _{CC}	1.95		±1	±1	Max	μA
Analog Switch								
R _{ON}		I _{OUT} = 10mA, A = 0.9V	1.65	10			Typ	Ω
R _{ON}		I _{OUT} = 10mA, A = 0.9V	1.65	15	18	18	Max	Ω
ΔR _{ON}	Maximum ON resistance	I _{OUT} = 10mA, A = 0.9V	1.65	5	7	7	Max	Ω
I _{S(OFF)}	Switch OFF Leakage Current	A = 0V, 1.95V, B = 1.95V, 0V	1.95	±10	±25	±50	Max	nA
I _{S(ON)}	Switch ON Leakage Current	A = 0V, 1.95V, B = 0V, 1.95V or Floating	1.95	±10	±50	±100	Max	nA
Dynamic Characteristics								
t _{PHL} , t _{PLH}	Switch IN to OUT time	A = 1.0V, R _L = 50Ω, C _L = 35pF, Figure 4	1.65	10			Typ	ns
t _{ON}	Switch turn-on time	A = 1.0V, R _L = 50Ω, C _L = 35pF, Figure 4	1.65	80			Typ	ns
t _{OFF}	Switch turn-off time	A = 1.0V, R _L = 50Ω, C _L = 35pF, Figure 4	1.65	50			Typ	ns
t _B	Break before make time	A = 1.0V, R _L = 50Ω, C _L = 35pF, Figure 5	1.65	20			Typ	ns
Q	Charge Injection	C _L = 1.0nF, V _{GEN} = 0V, R _{GEN} = 0Ω, Figure 6	1.8	20			Typ	pC
	OFF-Isolation	f = 1MHz, R _L = 50Ω, Figure 7	1.8	-65			Typ	dB
	Crosstalk	f = 1MHz, R _L = 50Ω, Figure 8	1.8	-65			Typ	dB
BW	Bandwidth	R _L = 50Ω	1.8	100			Typ	MHz
THD	Total Harmonic Distortion	R _L = 600Ω, V _{IN} = 0.5V _{PP} , f = 20Hz to 20kHz	1.8	0.01			Typ	%

Typical Performance Characteristics

V_{CC} = 5V, unless otherwise specified.

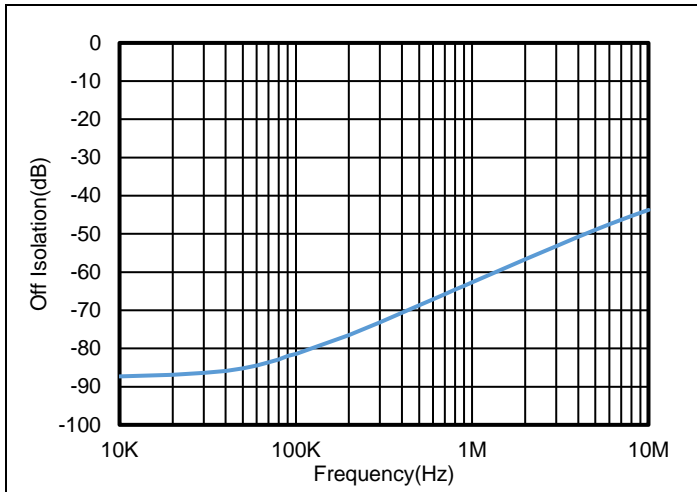


Figure 1. Off-Isolation, V_{CC} = 4.5V

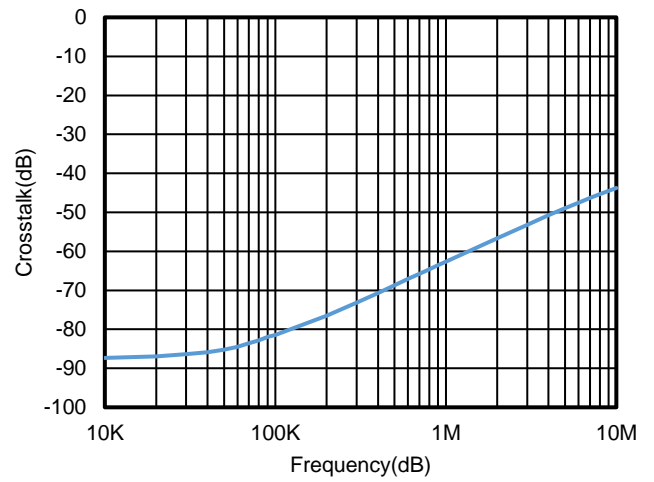


Figure 2. Crosstalk, V_{CC} = 4.5V

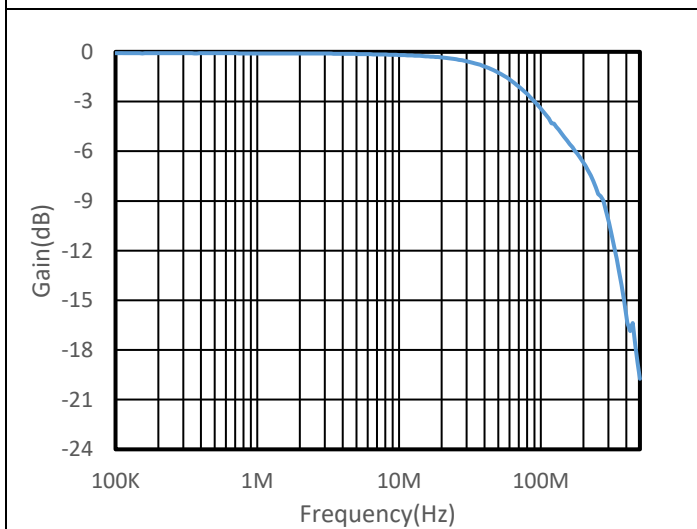


Figure 3. Bandwidth, V_{CC} = 4.5V

Test Circuit and Waveforms

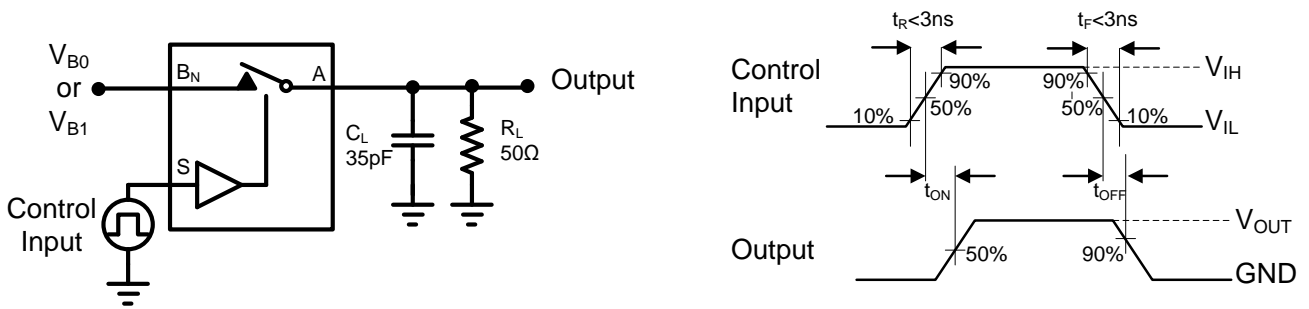


Figure 4 AC Test Circuit and Test Waveforms

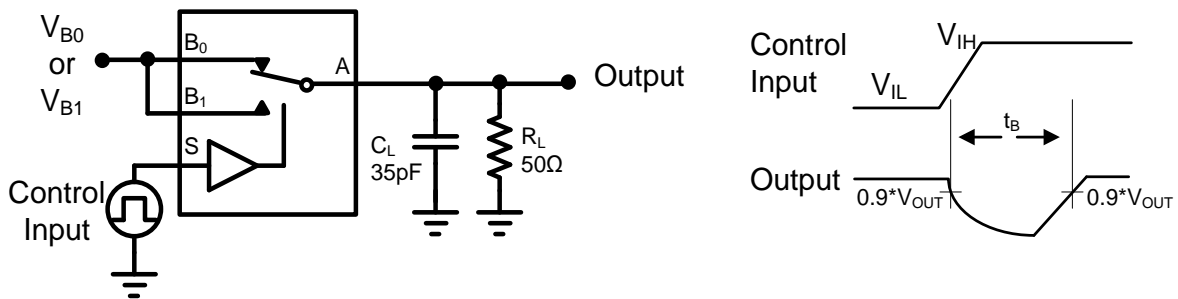


Figure 5 Switch Break Time

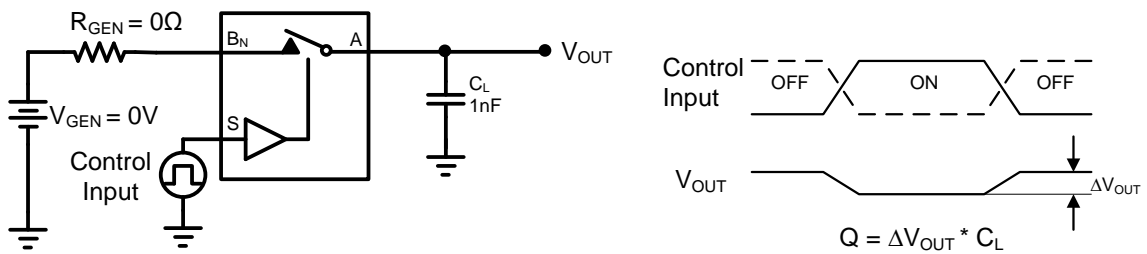


Figure 6 Charge Injection

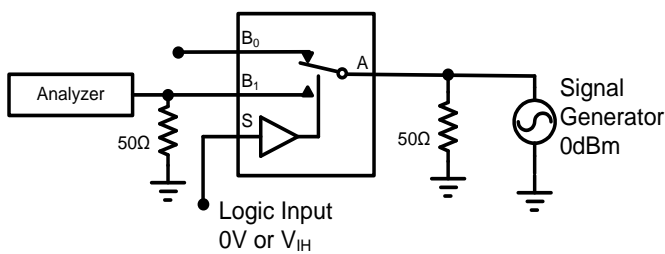


Figure 7 Off Isolation

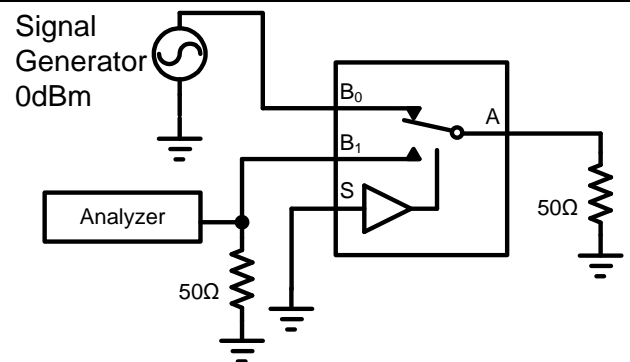
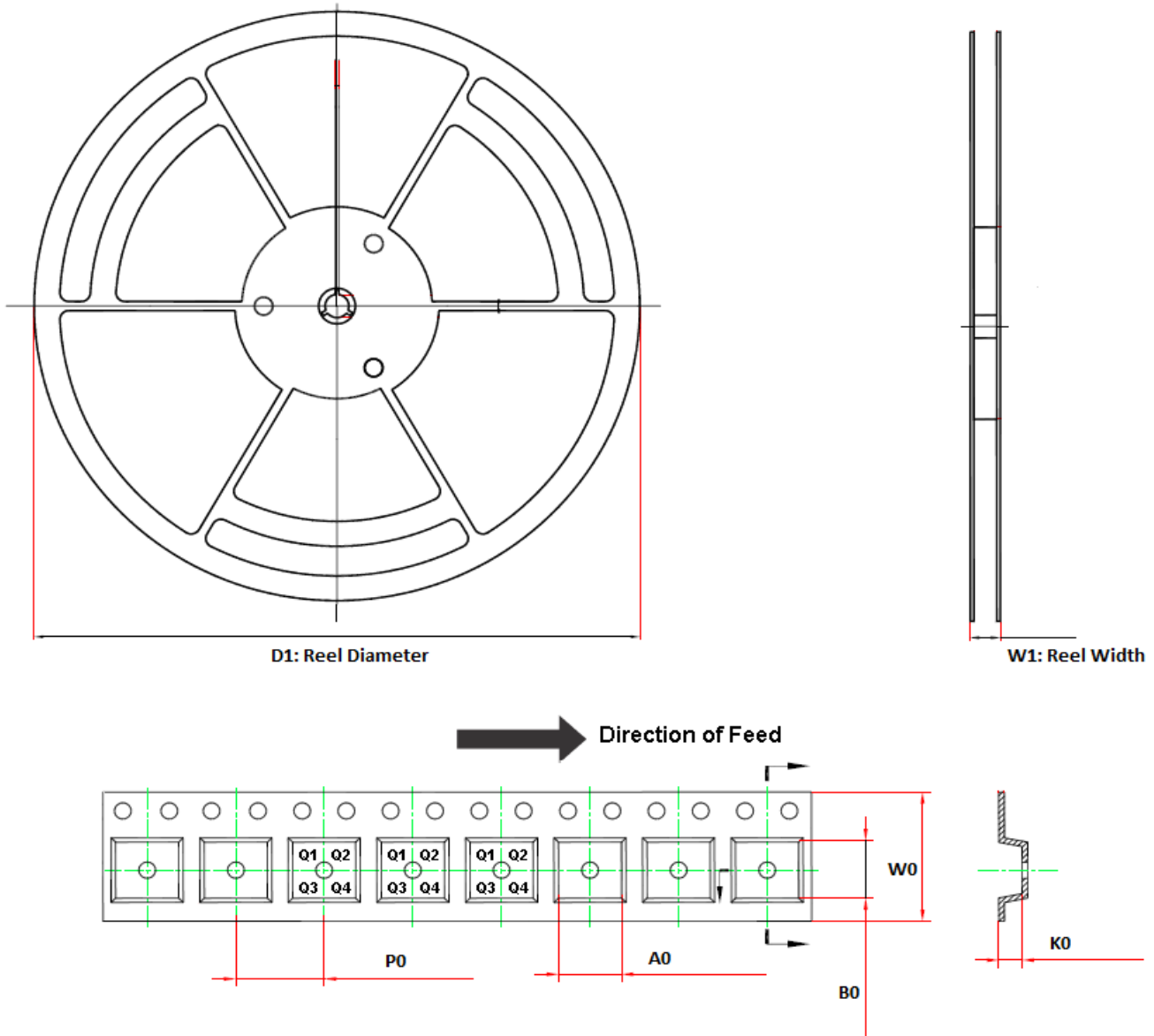


Figure 8 Crosstalk

Application Information

A 0.1- μ F bypass capacitor on V_{CC} and GND is recommended to prevent power disturbance.

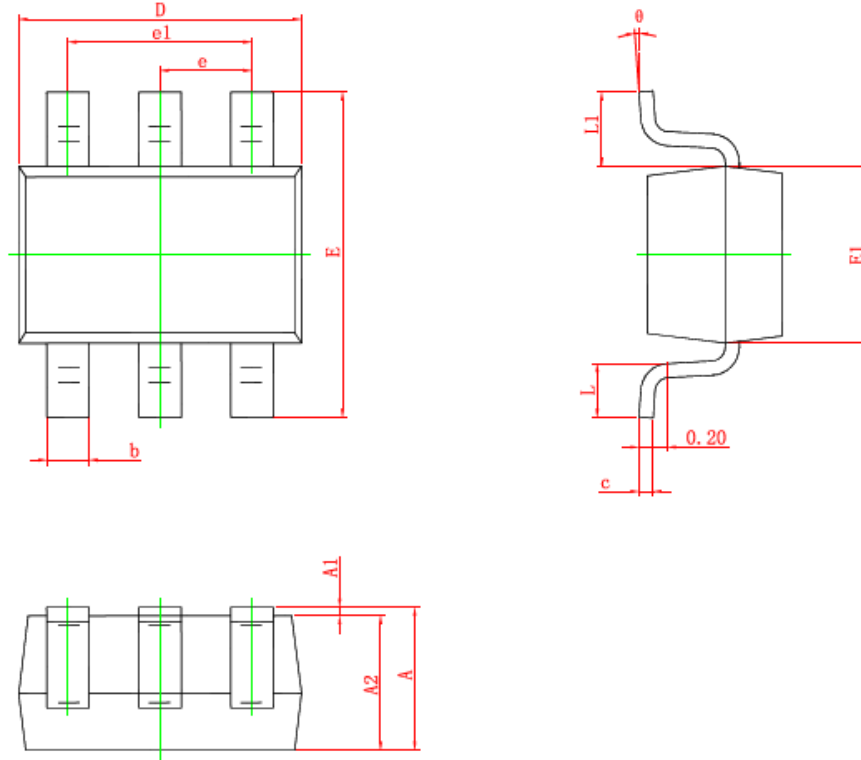
Tape and Reel Information



Order Number	Package	D1	W1	A0	B0	K0	P0	W0	Pin1 Quadrant
TPW3111-S5TR	5-Pin SC70	178.0	12.3	2.4	2.5	1.2	4.0	8.0	Q3
TPW3111-SC5R	5-Pin SOT23	180.0	13.1	3.2	3.2	1.4	4.0	8.0	Q3

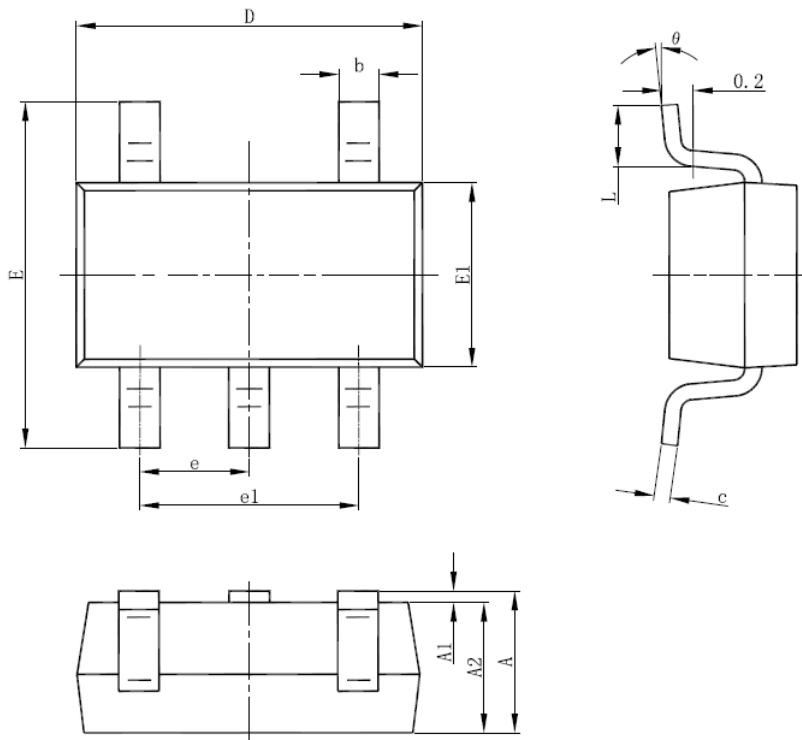
Package Outline Dimensions

SC70-5



Symbol	Dimensions In Millimeters		Dimensions In Inches	
	Min.	Max.	Min.	Max.
A	0.900	1.100	0.035	0.043
A1	0.000	0.100	0.000	0.004
A2	0.900	1.000	0.035	0.039
b	0.150	0.350	0.006	0.014
c	0.110	0.175	0.004	0.007
D	2.000	2.200	0.079	0.087
E	2.150	2.450	0.085	0.096
E1	1.150	1.350	0.045	0.053
e	0.650 TYP.		0.026 TYP.	
e1	1.200	1.400	0.047	0.055
L	0.260	0.460	0.010	0.018
L1	0.525 REF.		0.021 REF.	
θ	0°	8°	0°	8°

SOT23-5



Symbol	Dimensions In Millimeters		Dimensions In Inches	
	Min.	Max.	Min.	Max.
A	1.050	1.250	0.041	0.049
A1	0.000	0.100	0.000	0.004
A2	1.050	1.150	0.041	0.045
b	0.300	0.500	0.012	0.020
c	0.100	0.200	0.004	0.008
D	2.820	3.020	0.111	0.119
E1	1.500	1.700	0.059	0.067
E	2.650	2.950	0.104	0.116
e	0.950(BSC)		0.037(BSC)	
e1	1.800	2.000	0.071	0.079
L	0.300	0.600	0.012	0.024
θ	0°	8°	0°	8°

IMPORTANT NOTICE AND DISCLAIMER

Copyright© 3PEAK 2012-2023. All rights reserved.

Trademarks. Any of the 思瑞浦 or 3PEAK trade names, trademarks, graphic marks, and domain names contained in this document /material are the property of 3PEAK. You may NOT reproduce, modify, publish, transmit or distribute any Trademark without the prior written consent of 3PEAK.

Performance Information. Performance tests or performance range contained in this document/material are either results of design simulation or actual tests conducted under designated testing environment. Any variation in testing environment or simulation environment, including but not limited to testing method, testing process or testing temperature, may affect actual performance of the product.

Disclaimer. 3PEAK provides technical and reliability data (including data sheets), design resources (including reference designs), application or other design recommendations, networking tools, security information and other resources "As Is". 3PEAK makes no warranty as to the absence of defects, and makes no warranties of any kind, express or implied, including without limitation, implied warranties as to merchantability, fitness for a particular purpose or non-infringement of any third-party's intellectual property rights. Unless otherwise specified in writing, products supplied by 3PEAK are not designed to be used in any life-threatening scenarios, including critical medical applications, automotive safety-critical systems, aviation, aerospace, or any situations where failure could result in bodily harm, loss of life, or significant property damage. 3PEAK disclaims all liability for any such unauthorized use.